

6

5

4

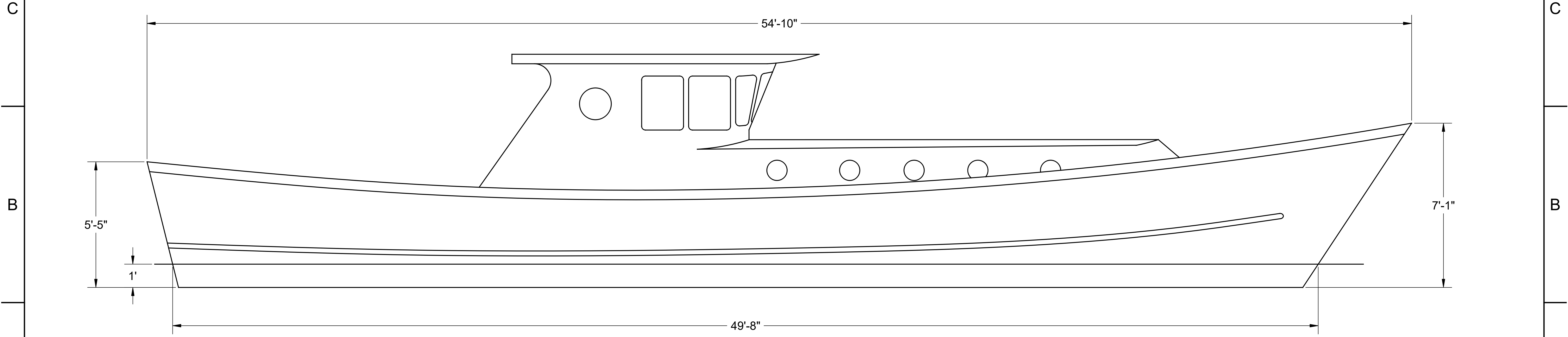
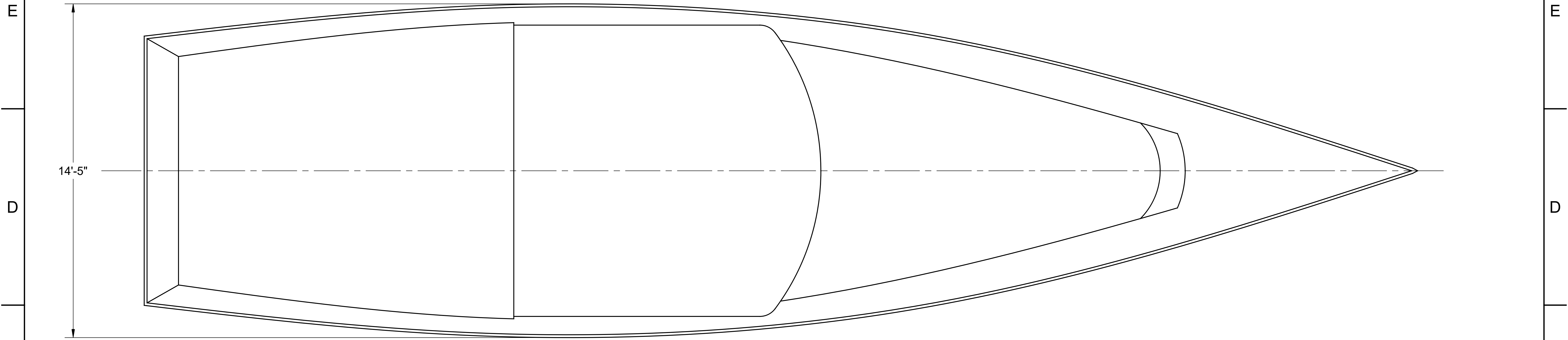
3

2

1

NOTICE
 THIS DRAWING CONTAINS A PROPRIETARY DESIGN ASSIGNED TO SPIRA INTERNATIONAL, INC. ALL RIGHTS TO DUPLICATE, TRANSFER OR SELL THIS DESIGN ARE EXPRESSLY RESERVED. THE BUYER IS LICENSED TO BUILD ONE ASSEMBLY FROM THESE PLANS.

REVISIONS				
ZONE	LTR	DESCRIPTION	DATE	APPROVED
	B	REMOVED METRIC DIMENSIONS	09/20/15	JJS



EXTENDED CABIN OPTION

 Spira International, Inc.
 Huntington Beach, California

TANUKI
 55' CAROLINA DORY

DRAWN BY: J. SPIRA DATE: 02/21/12 DRAWING NO. TANU01

SCALE 1/2" = 1' SHEET OF

6

6

6

3

2

1

6

5

4

3

2

1

NOTICE
 THIS DRAWING CONTAINS A PROPRIETARY DESIGN ASSIGNED TO SPIRA INTERNATIONAL, INC. ALL RIGHTS TO DUPLICATE, TRANSFER OR SELL THIS DESIGN ARE EXPRESSLY RESERVED. THE BUYER IS LICENSED TO BUILD ONE ASSEMBLY FROM THESE PLANS.

REVISIONS				
ZONE	LTR	DESCRIPTION	DATE	APPROVED
	B	REMOVED METRIC DIMENSIONS	05/20/12	JJS

E

D

C

B

A

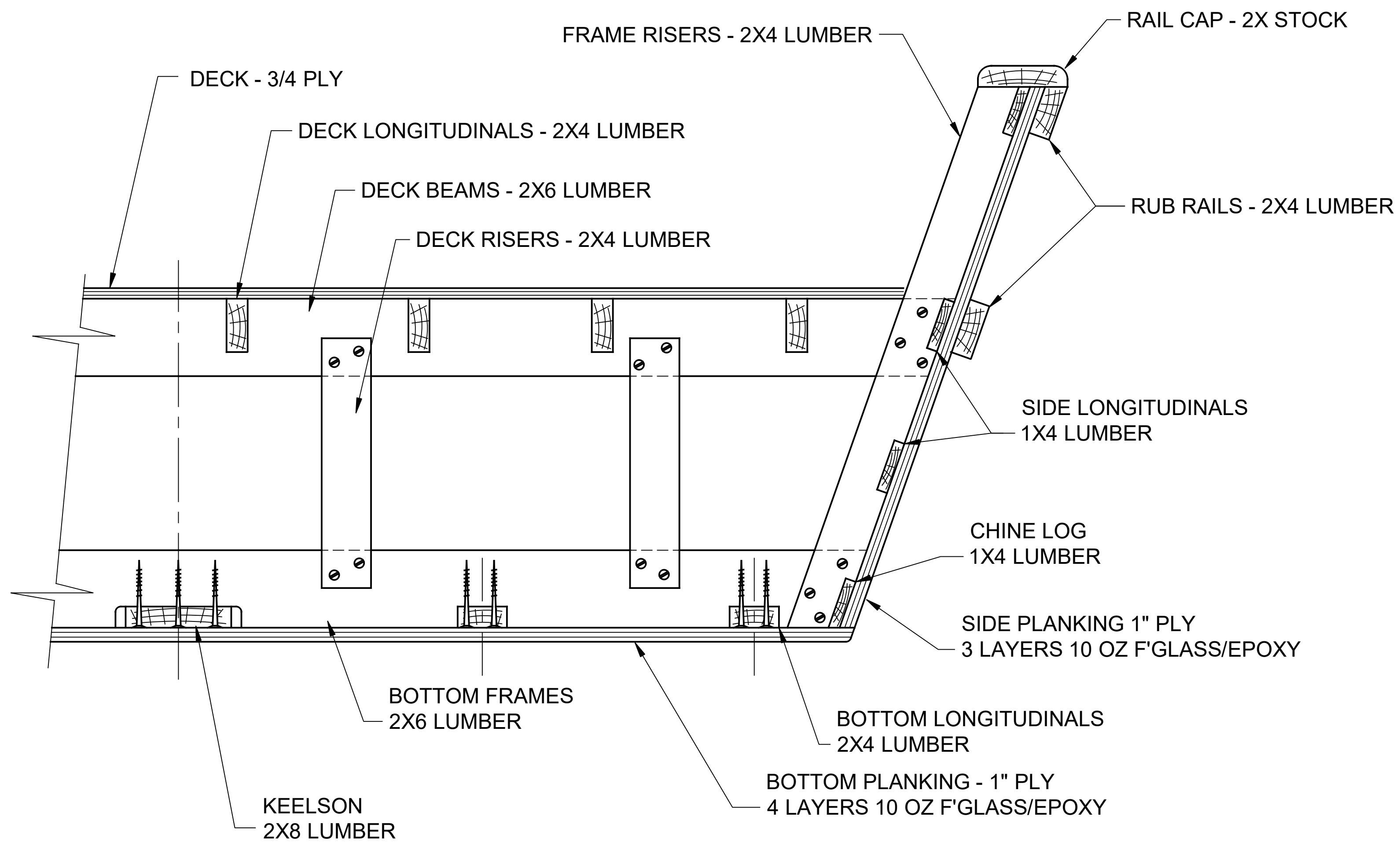
E

D

C

B

A



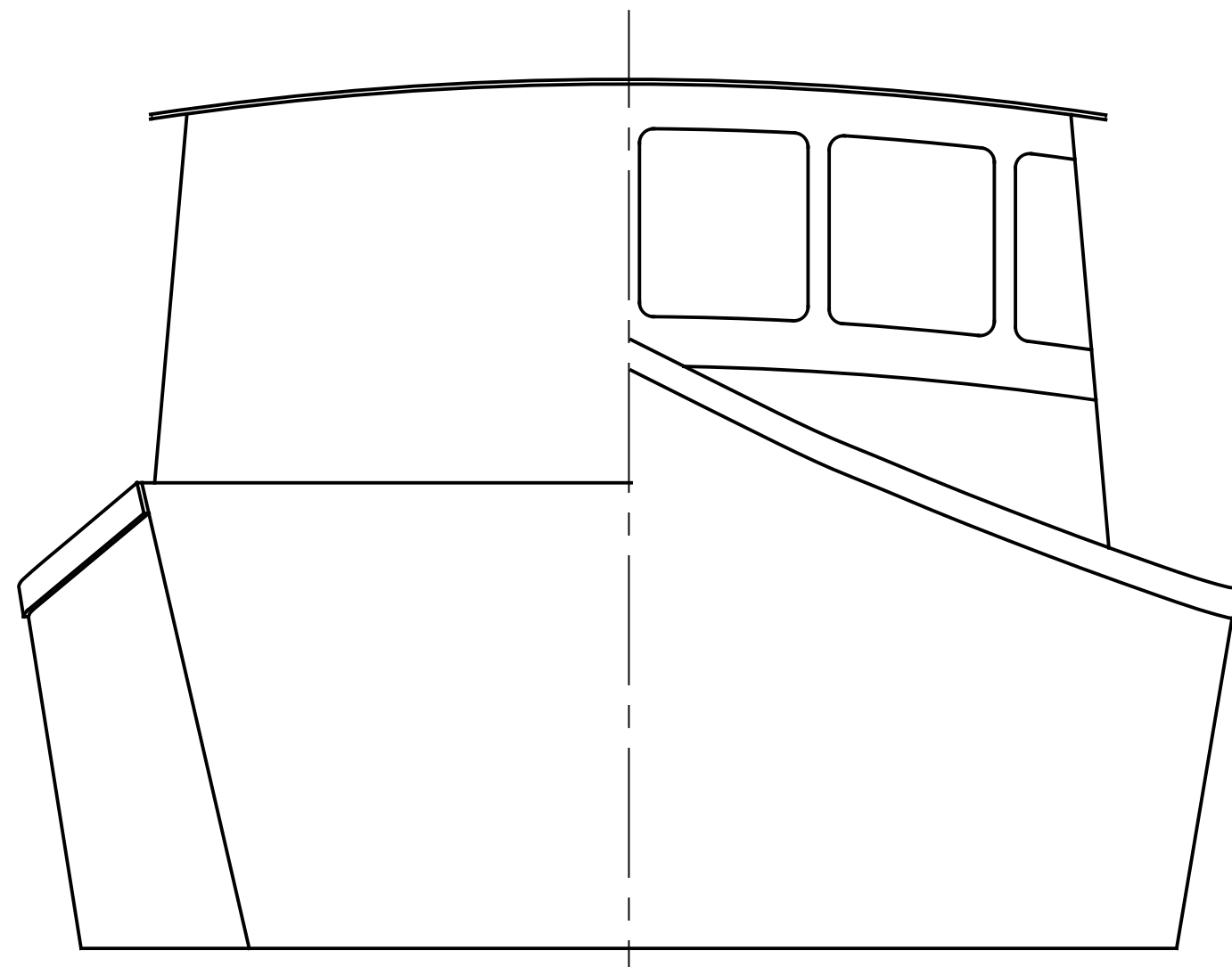
TYPICAL CONSTRUCTION METHOD
 ALL FRAME STATIONS
 SCALE 2" = 1'

NOTES:

1. YOU MAY SCARF TOGETHER SHORTER PIECES TO CREATE THE LONGITUDINAL ELEMENTS.
2. NOMINAL LUMBER SIZED CALLED OUT, E.G. A 2 X 4 LUMBER IS ACTUAL SIZE 1-1/2" X 3-1/2"

FASTENING SCHEDULE

- BOTTOM LONG'S TO FRAMES: 1/4 X 5 DECK SCREWS
 FRAMES TO FRAMES: 1/4 X 2-1/2 DECK SCREWS
 SIDE LONGITUDINALS: #10 X 2-1/2 DECK SCREWS
 PLY TO FRAMES: #10 X 2 DECK SCREWS



WORKBOAT STYLE CABIN OPTION

Spira International, Inc.
 Huntington Beach, California

TANUKI
 55' CAROLINA DORY

DRAWN BY: J. SPIRA DATE: 02/21/12 DRAWING NO. TANU02

SCALE 1/2" = 1' SHEET OF

6

6

6

3

2

1