

6

5

4

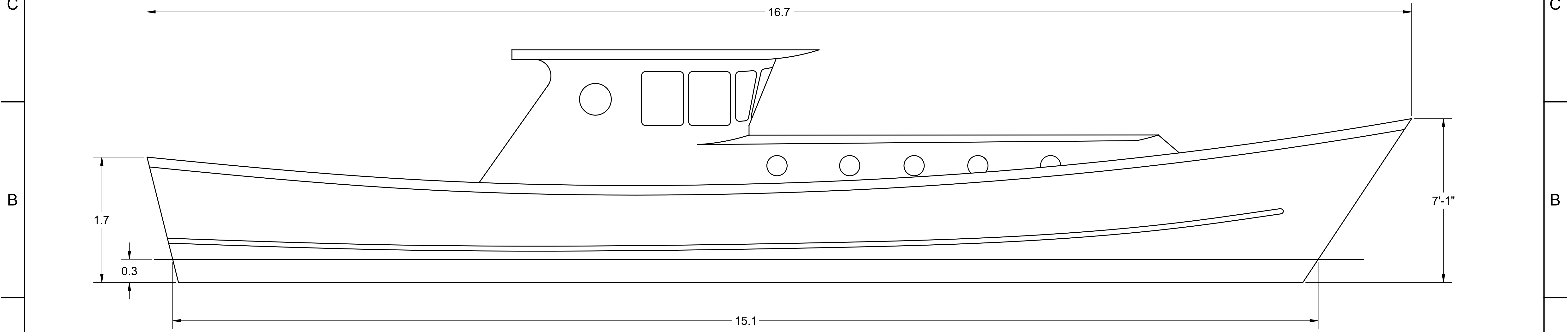
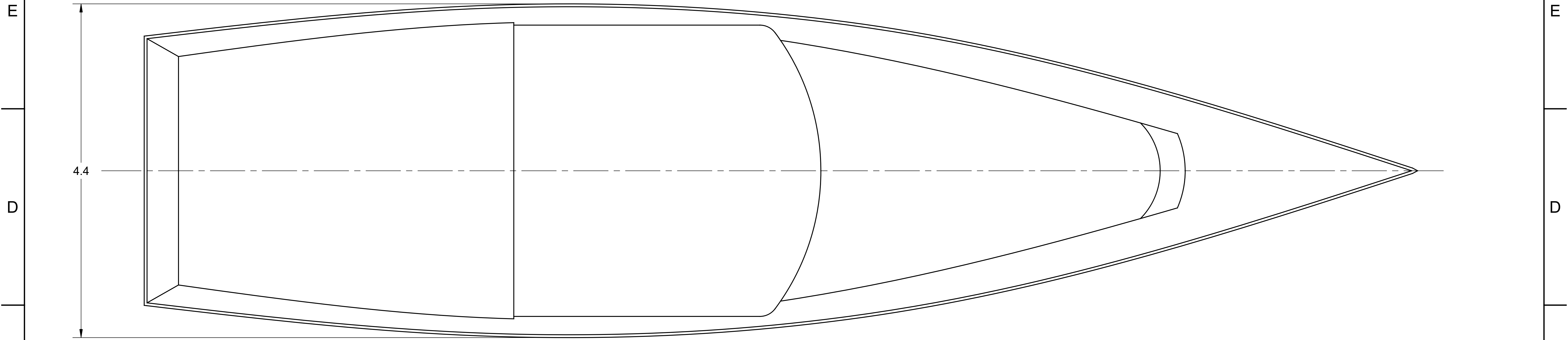
3

2

1

NOTICE  
 THIS DRAWING CONTAINS A PROPRIETARY DESIGN ASSIGNED TO SPIRA INTERNATIONAL, INC. ALL RIGHTS TO DUPLICATE, TRANSFER OR SELL THIS DESIGN ARE EXPRESSLY RESERVED. THE BUYER IS LICENSED TO BUILD ONE ASSEMBLY FROM THESE PLANS.

REVISIONS				
ZONE	LTR	DESCRIPTION	DATE	APPROVED



EXTENDED CABIN OPTION

 Spira International, Inc.  
 Huntington Beach, California

TANUKI  
 16.7 M CAROLINA DORY

DRAWN BY: J. SPIRA	DATE: 09/19/15	DRAWING NO. TANUM01
SCALE 1/24		SHEET OF

6

6

6

3

2

1

6

5

4

3

2

1

**NOTICE**  
 THIS DRAWING CONTAINS A PROPRIETARY DESIGN ASSIGNED TO SPIRA INTERNATIONAL, INC. ALL RIGHTS TO DUPLICATE, TRANSFER OR SELL THIS DESIGN ARE EXPRESSLY RESERVED. THE BUYER IS LICENSED TO BUILD ONE ASSEMBLY FROM THESE PLANS.

REVISIONS				
ZONE	LTR	DESCRIPTION	DATE	APPROVED

**NOTES:**

1. YOU MAY SCARF TOGETHER SHORTER PIECES TO CREATE THE LONGITUDINAL ELEMENTS.

**FASTENING SCHEDULE**

BOTTOM LONG'S TO FRAMES: M6 X 125 DECK SCREWS  
 FRAMES TO FRAMES: M6 X 65 DECK SCREWS  
 SIDE LONGITUDINALS: M5 X 65 DECK SCREWS  
 PLY TO FRAMES: M5 X 50 DECK SCREWS

E

D

C

B

A

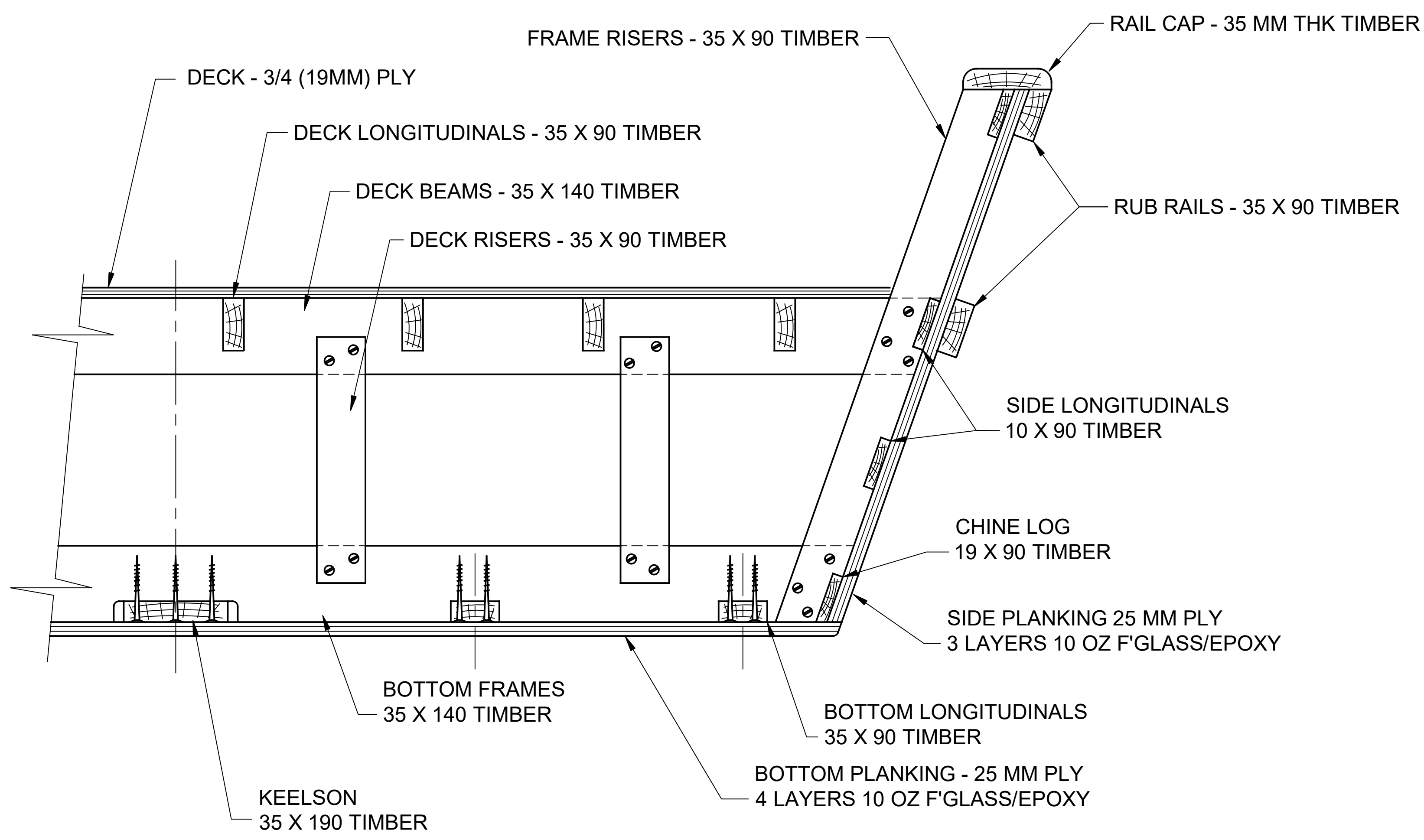
E

D

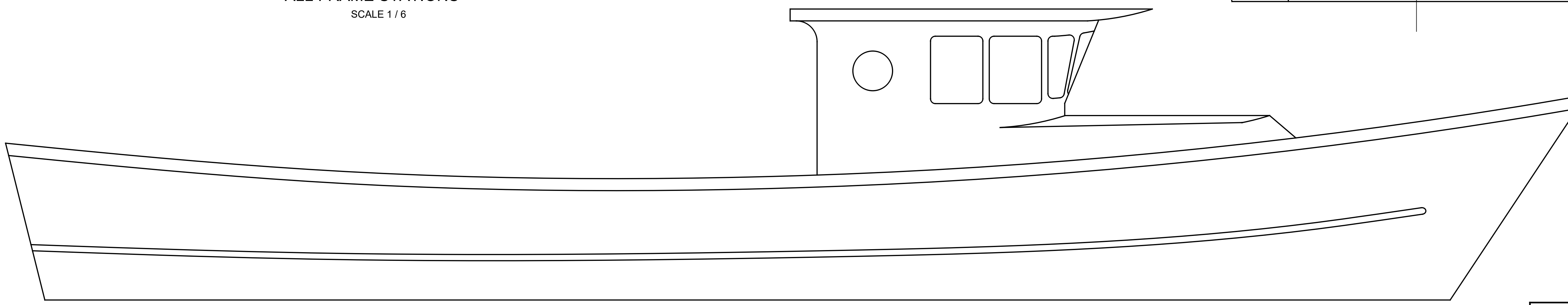
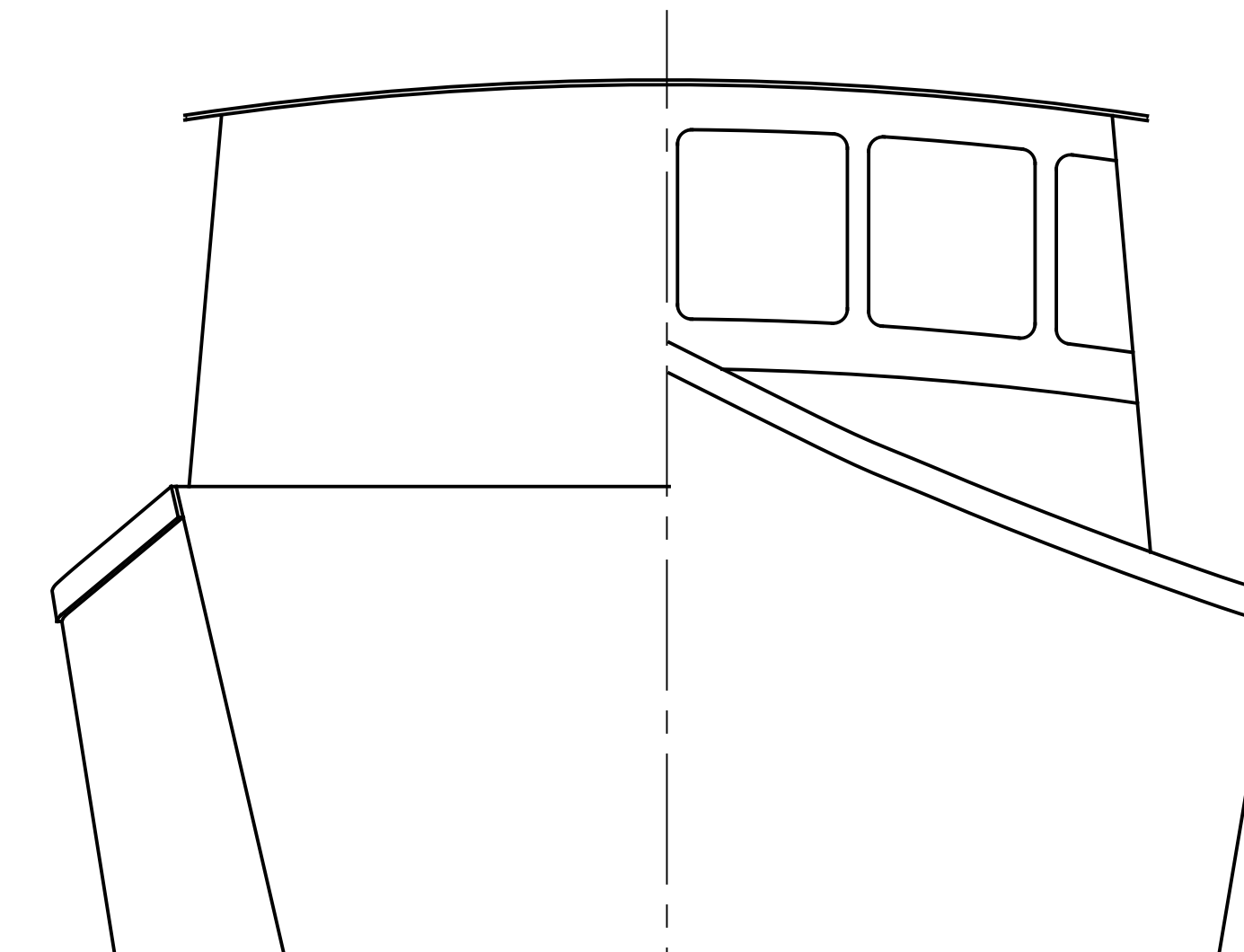
C

B


A



TYPICAL CONSTRUCTION METHOD  
 ALL FRAME STATIONS  
 SCALE 1/6



WORKBOAT STYLE CABIN OPTION

 <b>Spira International, Inc.</b> Huntington Beach, California		
<b>TANUKI</b> 16.7 M CAROLINA DORY		
DRAWN BY: J. SPIRA	DATE: 09/19/15	DRAWING NO. TANUM02
SCALE 1/24	SHEET OF	

6

6

6

3

2

1