

4

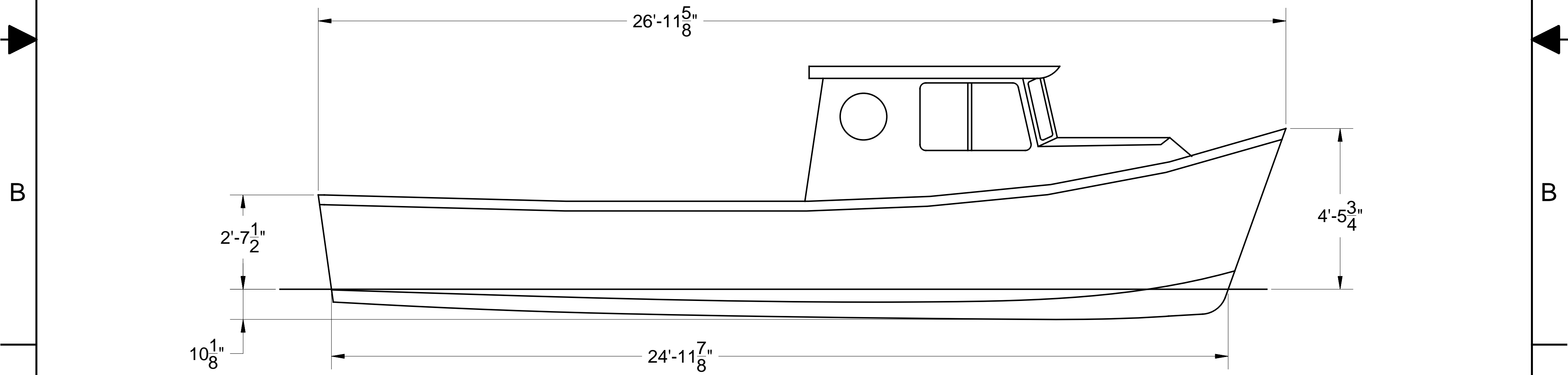
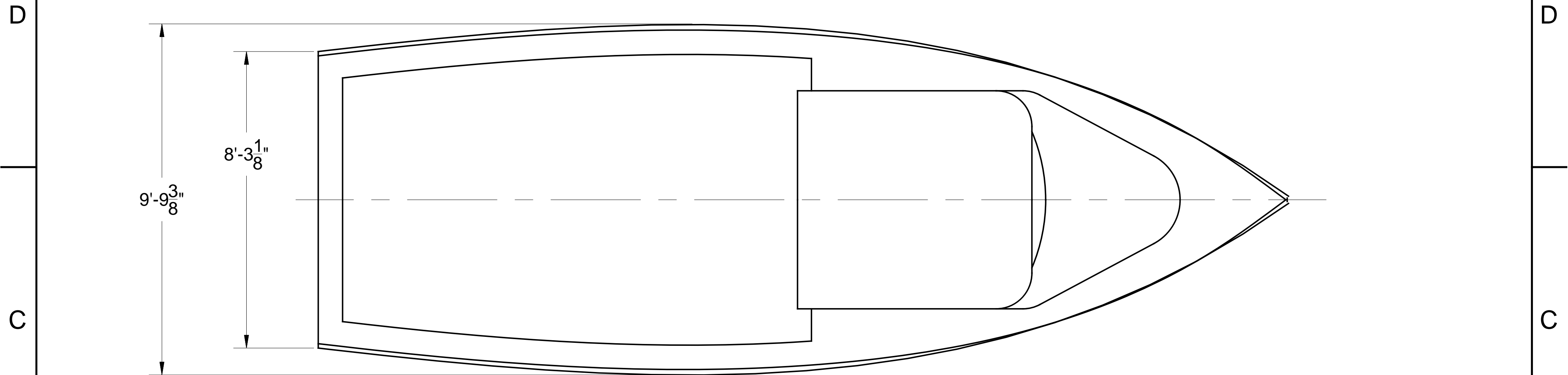
3

2


1

**NOTICE**  
 THIS DRAWING CONTAINS A PROPRIETARY DESIGN ASSIGNED TO SPIRA INTERNATIONAL, INC. ALL RIGHTS TO DUPLICATE, TRANSFER OR USE ARE EXPRESSLY RESERVED BY SPIRA INTERNATIONAL. THE BUYER IS LICENSED TO BUILD ONE ASSEMBLY FROM THESE PLANS.

REVISIONS				
ZONE	LTR	DESCRIPTION	DATE	APPROVED



SPECIFICATIONS	
MAX. DISPLACEMENT	10,500 LBS
HULL WEIGHT	2870 LBS
MIN. HP	25 HP
RECOMMENDED HP	90 HP

 **Spira International, Inc.**  
 Huntington Beach, California

**TANGIER**  
 27' CHESEAPEKE BAY DEADRISE

DRAWN BY: J. SPIRA	DATE: 03/01/13	DRAWING NO. TANG01
-----------------------	-------------------	-----------------------

SCALE 1/2" = 1'      SHEET      OF

4

3

2

1

4

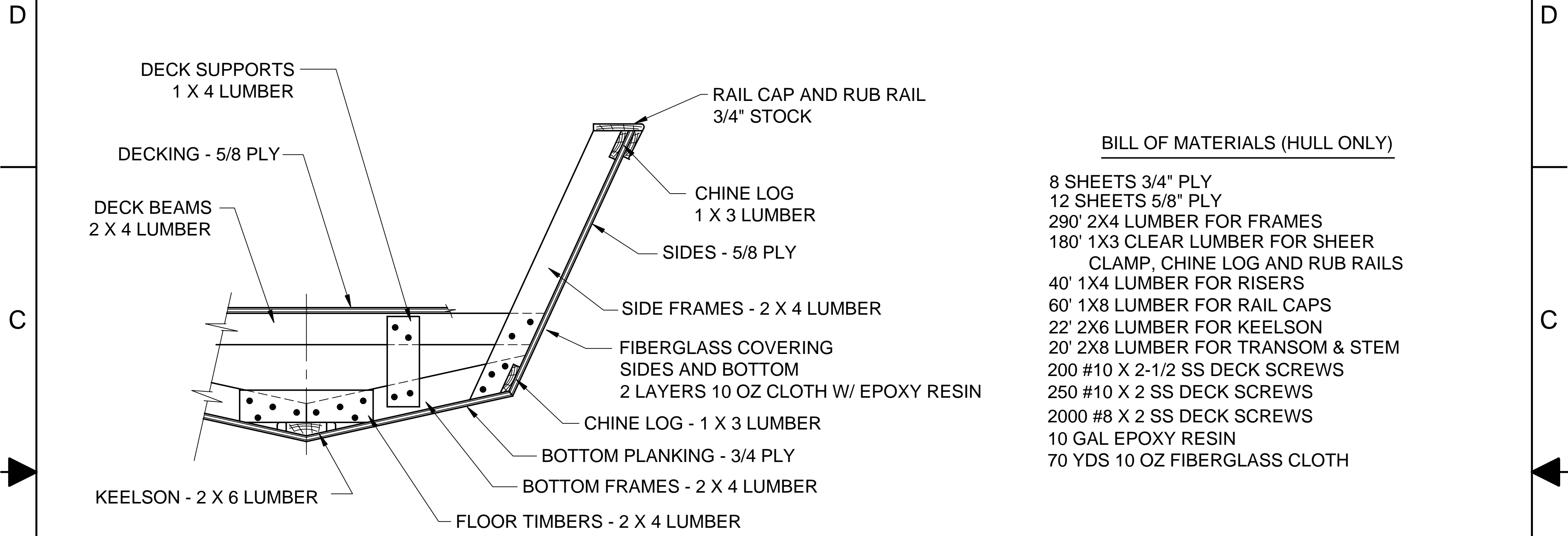
3

2

1

**NOTICE**  
 THIS DRAWING CONTAINS A PROPRIETARY DESIGN ASSIGNED TO SPIRA INTERNATIONAL, INC. ALL RIGHTS TO DUPLICATE, TRANSFER OR USE ARE EXPRESSLY RESERVED BY SPIRA INTERNATIONAL. THE BUYER IS LICENSED TO BUILD ONE ASSEMBLY FROM THESE PLANS.

REVISIONS				
ZONE	LTR	DESCRIPTION	DATE	APPROVED

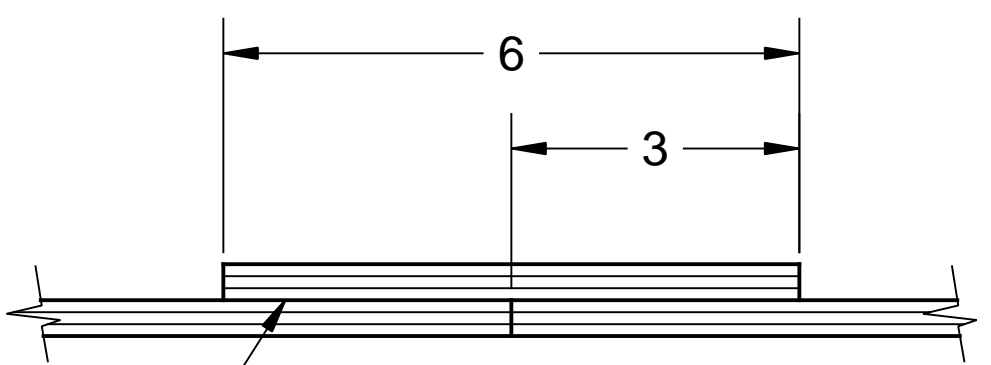


**BILL OF MATERIALS (HULL ONLY)**

- 8 SHEETS 3/4" PLY
- 12 SHEETS 5/8" PLY
- 290' 2X4 LUMBER FOR FRAMES
- 180' 1X3 CLEAR LUMBER FOR SHEER CLAMP, CHINE LOG AND RUB RAILS
- 40' 1X4 LUMBER FOR RISERS
- 60' 1X8 LUMBER FOR RAIL CAPS
- 22' 2X6 LUMBER FOR KEELSON
- 20' 2X8 LUMBER FOR TRANSOM & STEM
- 200 #10 X 2-1/2 SS DECK SCREWS
- 250 #10 X 2 SS DECK SCREWS
- 2000 #8 X 2 SS DECK SCREWS
- 10 GAL EPOXY RESIN
- 70 YDS 10 OZ FIBERGLASS CLOTH

**CONSTRUCTION METHOD  
TYPICAL AT EACH FRAME**

SCALE: NONE



BUTT BLOCKS REQUIRED  
AT ALL PLYWOOD SEAMS  
(BLOCK ON INSIDE OF HULL)

**NOTES:**

1. YOU MAY SCARF TOGETHER SHORTER PIECES TO CREATE THE LONGITUDINAL ELEMENTS.
2. NOMINAL LUMBER SIZED CALLED OUT, E.G. A 2 X 4 LUMBER IS ACTUAL SIZE 1-1/2" X 3-1/2"

**FASTENING SCHEDULE**

- 2x FRAME TO 2x FRAME: #10 X 2 -1/2 DECK SCREWS
- 1X FRAME TO 2X FRAME: #10 X 2 DECK SCREWS
- PLANKING TO FRAME: #8 X 2 DECK SCREWS



**Spira International, Inc.**  
 Huntington Beach, California

**TANGIER**  
 27' CHESEAPEKE BAY DEADRISE

DRAWN BY: J. SPIRA	DATE: 03/01/13	DRAWING NO. TANG02
SCALE 1/2" = 1'		SHEET OF

4

3

2

1