

4

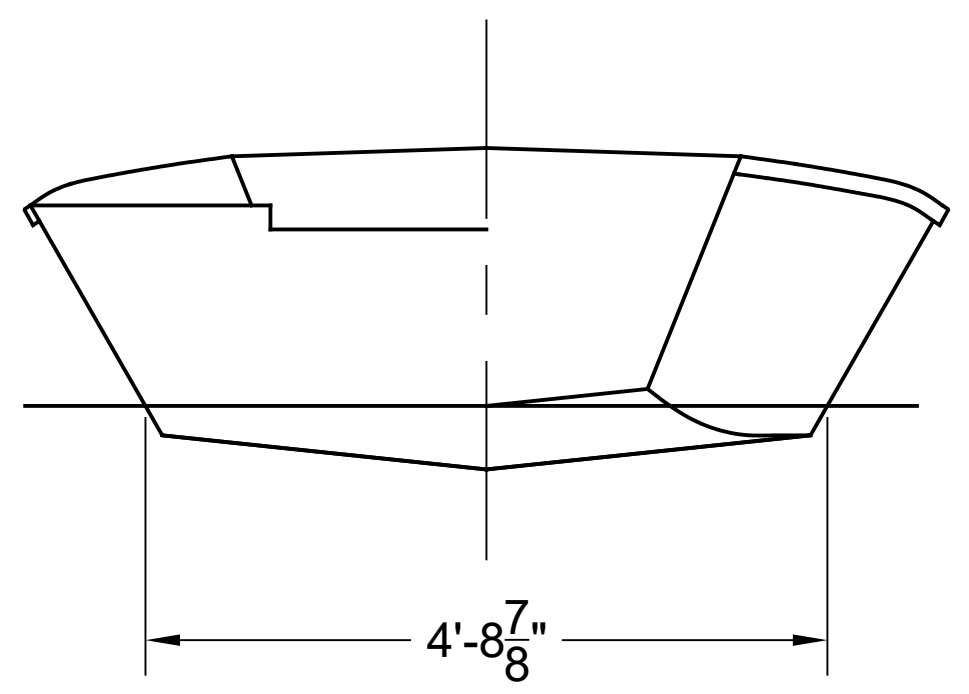
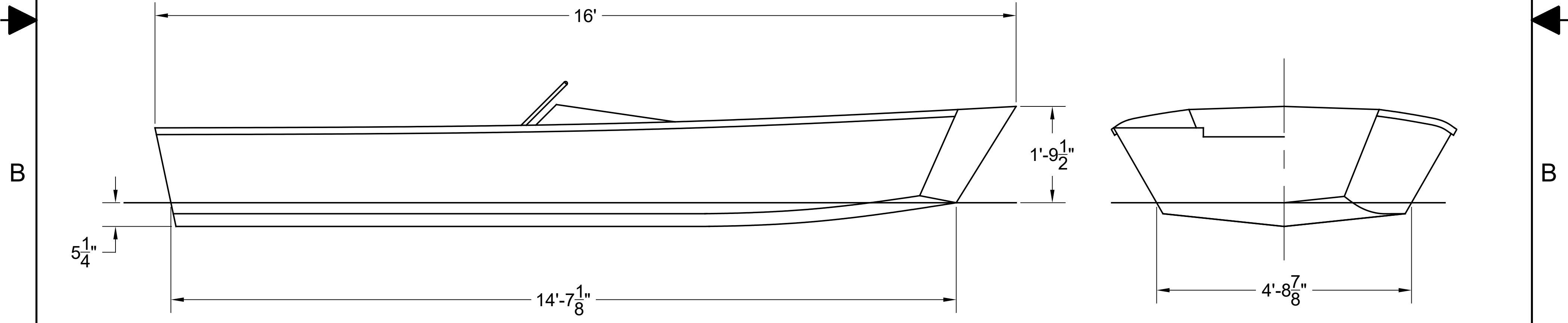
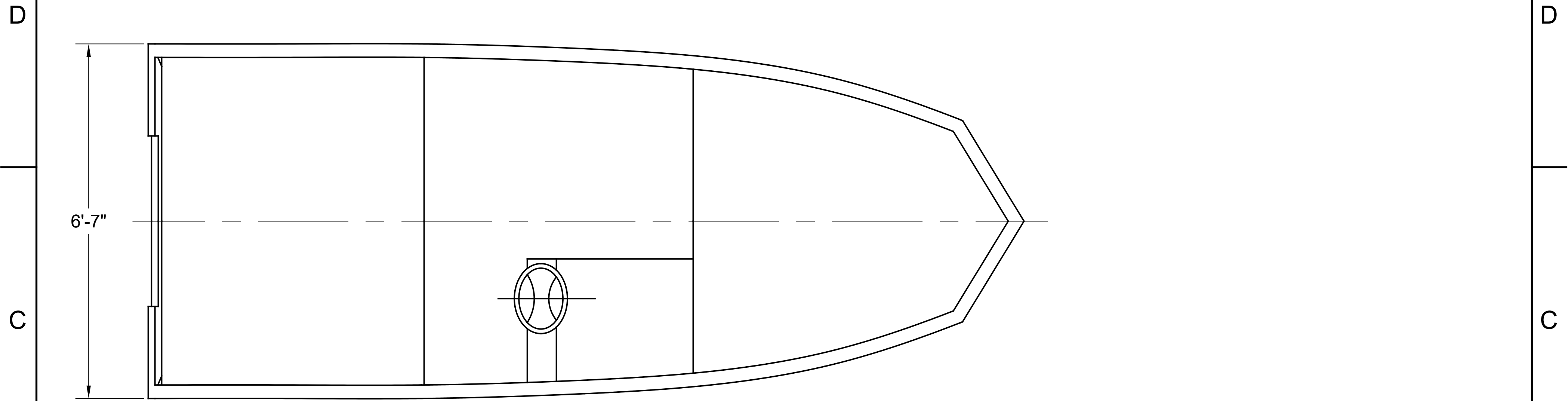
3

2

1

**NOTICE**  
 THIS DRAWING CONTAINS A PROPRIETARY DESIGN ASSIGNED TO SPIRA INTERNATIONAL, INC. ALL RIGHTS TO DUPLICATE, TRANSFER OR USE ARE EXPRESSLY RESERVED BY SPIRA INTERNATIONAL. THE BUYER IS LICENSED TO BUILD ONE ASSEMBLY FROM THESE PLANS.

REVISIONS				
ZONE	LTR	DESCRIPTION	DATE	APPROVED
	A	ADDED SPECIFICATION TABLE	09/08/18	JJS



SPECIFICATIONS	
MAX. DISPLACEMENT	2300 LBS
HULL WEIGHT	800 LBS
MAXIMUM HP	115 HP
RECOMMENDED HP	50 HP

 **Spira International, Inc.**  
 Huntington Beach, California

**SKEETER**  
 16' BASS BOAT

DRAWN BY: J. SPIRA	DATE: 12/03/12	DRAWING NO. SKEE01
-----------------------	-------------------	-----------------------

SCALE 3/4" = 1' SHEET OF

4

3

2

1

4

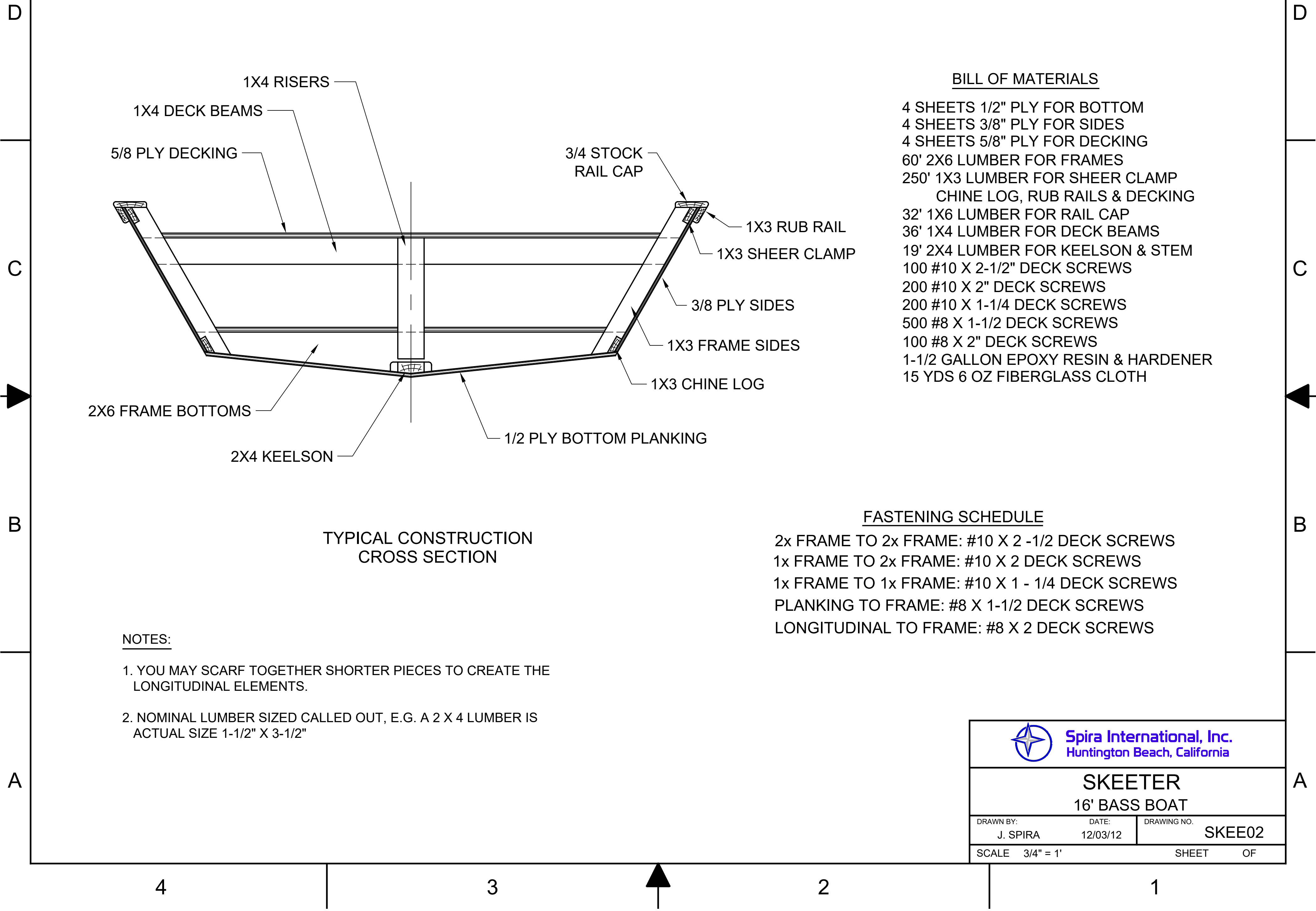
3

2

1

**NOTICE**  
 THIS DRAWING CONTAINS A PROPRIETARY DESIGN ASSIGNED TO SPIRA INTERNATIONAL, INC. ALL RIGHTS TO DUPLICATE, TRANSFER OR USE ARE EXPRESSLY RESERVED BY SPIRA INTERNATIONAL. THE BUYER IS LICENSED TO BUILD ONE ASSEMBLY FROM THESE PLANS.

REVISIONS				
ZONE	LTR	DESCRIPTION	DATE	APPROVED



**BILL OF MATERIALS**

- 4 SHEETS 1/2" PLY FOR BOTTOM
- 4 SHEETS 3/8" PLY FOR SIDES
- 4 SHEETS 5/8" PLY FOR DECKING
- 60' 2X6 LUMBER FOR FRAMES
- 250' 1X3 LUMBER FOR SHEER CLAMP CHINE LOG, RUB RAILS & DECKING
- 32' 1X6 LUMBER FOR RAIL CAP
- 36' 1X4 LUMBER FOR DECK BEAMS
- 19' 2X4 LUMBER FOR KEELSON & STEM
- 100 #10 X 2-1/2" DECK SCREWS
- 200 #10 X 2" DECK SCREWS
- 200 #10 X 1-1/4 DECK SCREWS
- 500 #8 X 1-1/2 DECK SCREWS
- 100 #8 X 2" DECK SCREWS
- 1-1/2 GALLON EPOXY RESIN & HARDENER
- 15 YDS 6 OZ FIBERGLASS CLOTH

**FASTENING SCHEDULE**

- 2x FRAME TO 2x FRAME: #10 X 2 -1/2 DECK SCREWS
- 1x FRAME TO 2x FRAME: #10 X 2 DECK SCREWS
- 1x FRAME TO 1x FRAME: #10 X 1 - 1/4 DECK SCREWS
- PLANKING TO FRAME: #8 X 1-1/2 DECK SCREWS
- LONGITUDINAL TO FRAME: #8 X 2 DECK SCREWS

**NOTES:**

1. YOU MAY SCARF TOGETHER SHORTER PIECES TO CREATE THE LONGITUDINAL ELEMENTS.
2. NOMINAL LUMBER SIZED CALLED OUT, E.G. A 2 X 4 LUMBER IS ACTUAL SIZE 1-1/2" X 3-1/2"



**SKEETER  
16' BASS BOAT**

DRAWN BY: J. SPIRA	DATE: 12/03/12	DRAWING NO. SKEE02
SCALE 3/4" = 1'		SHEET OF