

4

3

2

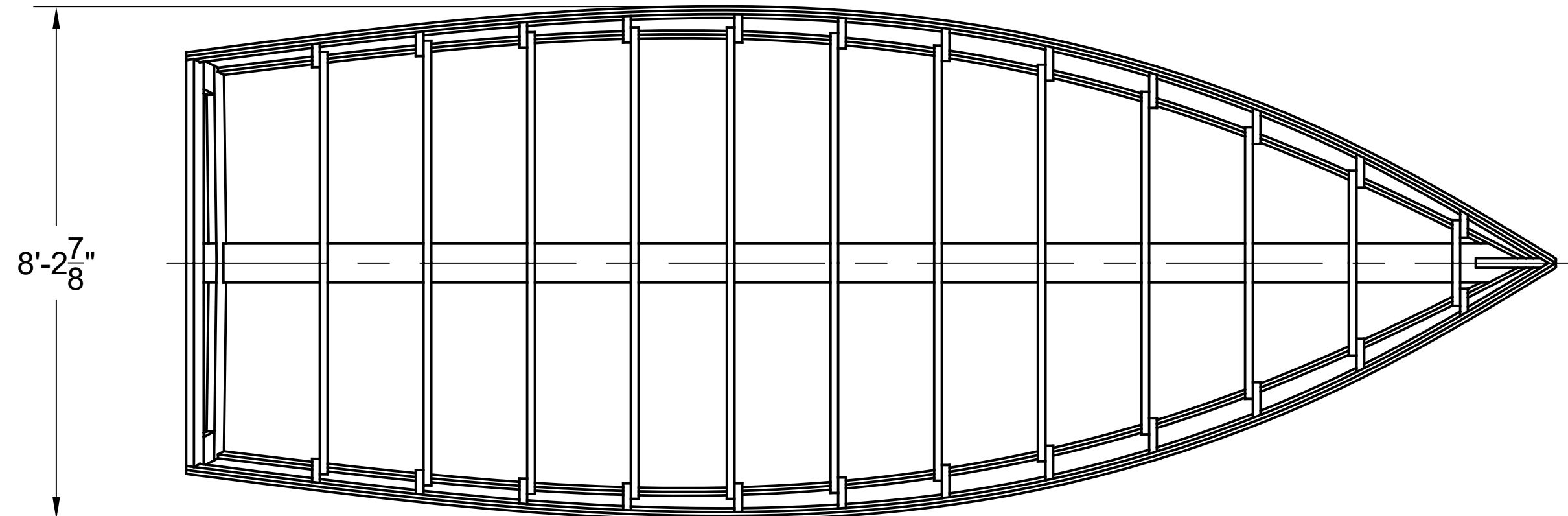
1

NOTICE
 THIS DRAWING CONTAINS A PROPRIETARY DESIGN ASSIGNED TO SPIRA INTERNATIONAL, INC. ALL RIGHTS TO DUPLICATE, TRANSFER OR USE ARE EXPRESSLY RESERVED BY SPIRA INTERNATIONAL. THE BUYER IS LICENSED TO BUILD ONE ASSEMBLY FROM THESE PLANS.

REVISIONS				
ZONE	LTR	DESCRIPTION	DATE	APPROVED

D

D

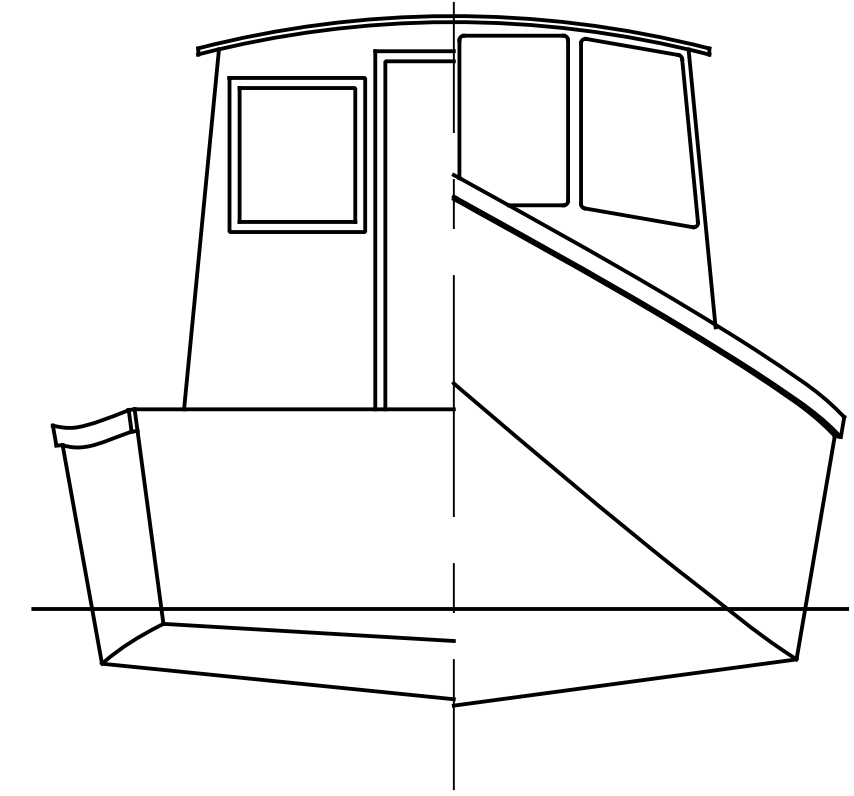
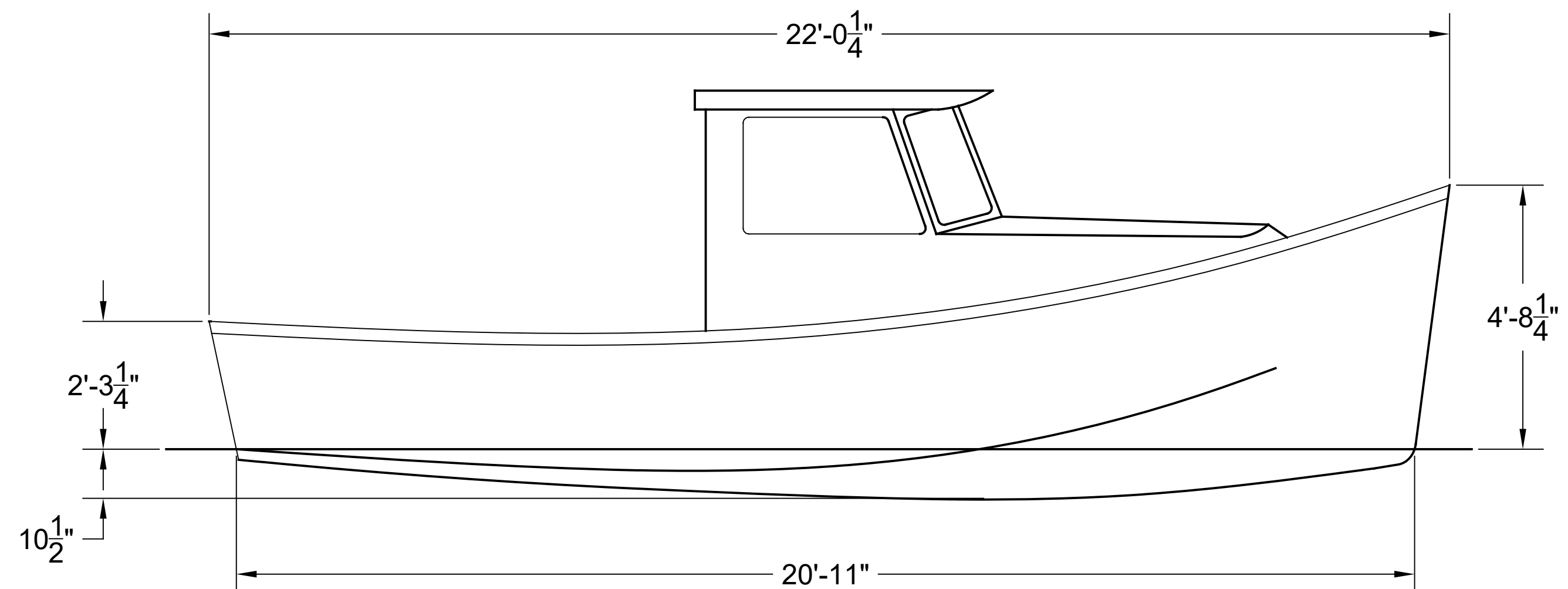


C

C

B


B



A

A

SPECIFICATIONS	
MAX. DISPLACEMENT	7200 LBS
HULL WEIGHT	2200 LBS
CALC. MAX. HORSEPOWER	200 HP MAX
RECOMMENDED HP	90 HP

 **Spira International, Inc.**
 Huntington Beach, California

POHOIKI
 22' HAWAIIAN SAMPAN

DRAWN BY: J. SPIRA	DATE: 08/18/20	DRAWING NO. POHO01
-----------------------	-------------------	------------------------------

SCALE 1/2" = 1' AND NOTED SHEET OF

4

3

2

1

4

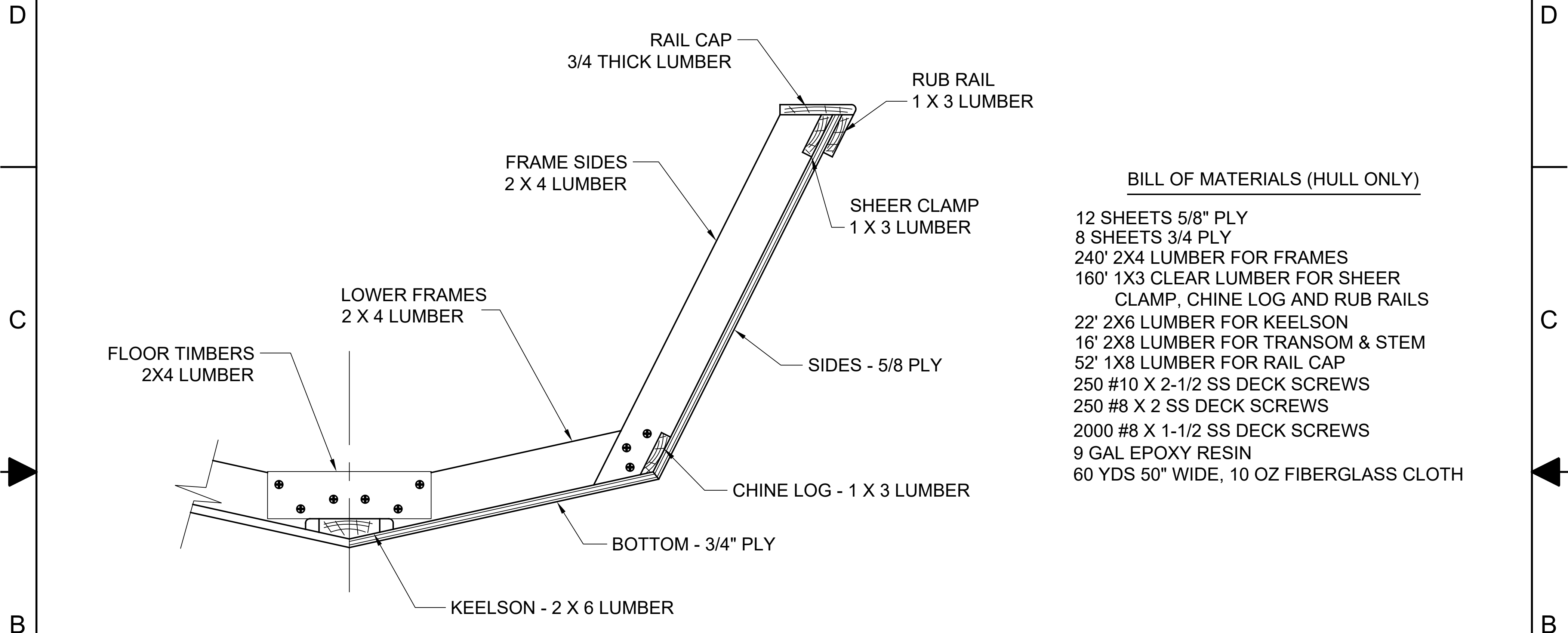
3

2

1

NOTICE
 THIS DRAWING CONTAINS A PROPRIETARY DESIGN ASSIGNED TO SPIRA INTERNATIONAL, INC. ALL RIGHTS TO DUPLICATE, TRANSFER OR USE ARE EXPRESSLY RESERVED BY SPIRA INTERNATIONAL. THE BUYER IS LICENSED TO BUILD ONE ASSEMBLY FROM THESE PLANS.

REVISIONS				
ZONE	LTR	DESCRIPTION	DATE	APPROVED



BILL OF MATERIALS (HULL ONLY)

- 12 SHEETS 5/8" PLY
- 8 SHEETS 3/4 PLY
- 240' 2X4 LUMBER FOR FRAMES
- 160' 1X3 CLEAR LUMBER FOR SHEER CLAMP, CHINE LOG AND RUB RAILS
- 22' 2X6 LUMBER FOR KEELSON
- 16' 2X8 LUMBER FOR TRANSOM & STEM
- 52' 1X8 LUMBER FOR RAIL CAP
- 250 #10 X 2-1/2 SS DECK SCREWS
- 250 #8 X 2 SS DECK SCREWS
- 2000 #8 X 1-1/2 SS DECK SCREWS
- 9 GAL EPOXY RESIN
- 60 YDS 50" WIDE, 10 OZ FIBERGLASS CLOTH


CONSTRUCTION METHOD
 TYPICAL AT EACH FRAME
 SCALE: NONE

FASTENING SCHEDULE

- 2x FRAME TO 2x FRAME: #10 X 2 -1/2 DECK SCREWS
- LONGITUDINAL TO FRAME: #10 X 2 DECK SCREWS
- PLANKING TO FRAME: #10 X 1-1/2 DECK SCREWS

NOTES:

1. YOU MAY SCARF TOGETHER SHORTER PIECES TO CREATE THE LONGITUDINAL ELEMENTS.
2. NOMINAL LUMBER SIZED CALLED OUT, E.G. A 2 X 4 LUMBER IS ACTUAL SIZE 1-1/2" X 3-1/2"

 Spira International, Inc. Huntington Beach, California		
POHOIKI 22' HAWAIIAN SAMPAN		
DRAWN BY: J. SPIRA	DATE: 08/18/20	DRAWING NO. POHO02
SCALE 3/4" = 1' AND NOTED		SHEET OF

4

3

2

1