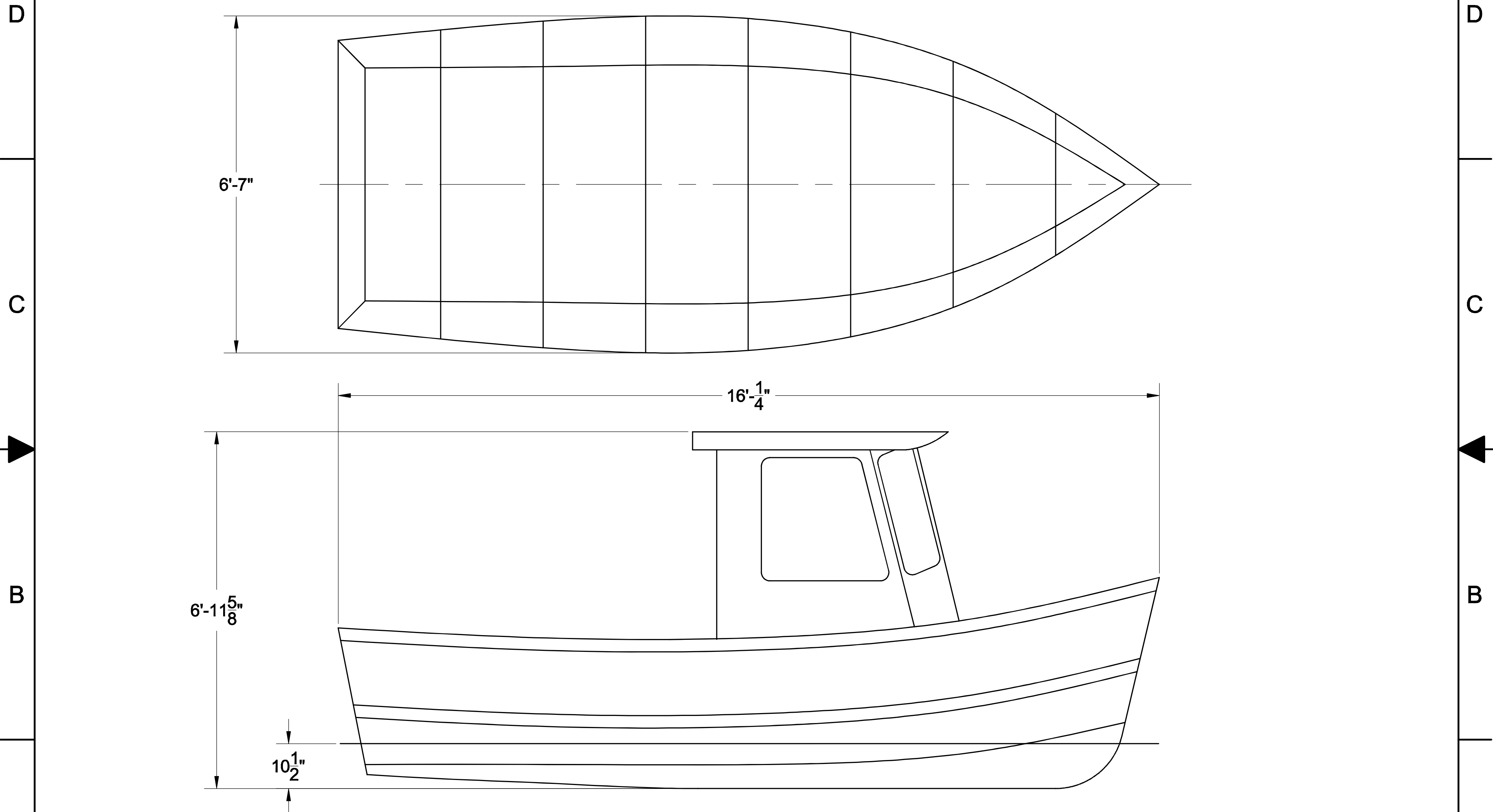


NOTICE
 THIS DRAWING CONTAINS A PROPRIETARY DESIGN ASSIGNED TO SPIRA INTERNATIONAL, INC. ALL RIGHTS TO DUPLICATE, TRANSFER OR USE ARE EXPRESSLY RESERVED BY SPIRA INTERNATIONAL. THE BUYER IS LICENSED TO BUILD ONE ASSEMBLY FROM THESE PLANS.

REVISIONS				
ZONE	LTR	DESCRIPTION	DATE	APPROVED
	A	ADDED SEPECIFICATIONS	09/02/13	JJS



SPECIFICATIONS	
MAX. DISPLACEMENT	2800 LBS
HULL WEIGHT	850 LBS
CALC. MAX. HORSEPOWER	40 HP
RECOMMENDED HP	25 HP

Spira International, Inc.
Huntington Beach, California

OSCODA
16' MINI TUG

DRAWN BY: J. SPIRA	DATE: 01/02/10	DRAWING NO. OSCO01
-----------------------	-------------------	-----------------------

SCALE 3/4" = 1' SHEET OF

