

4

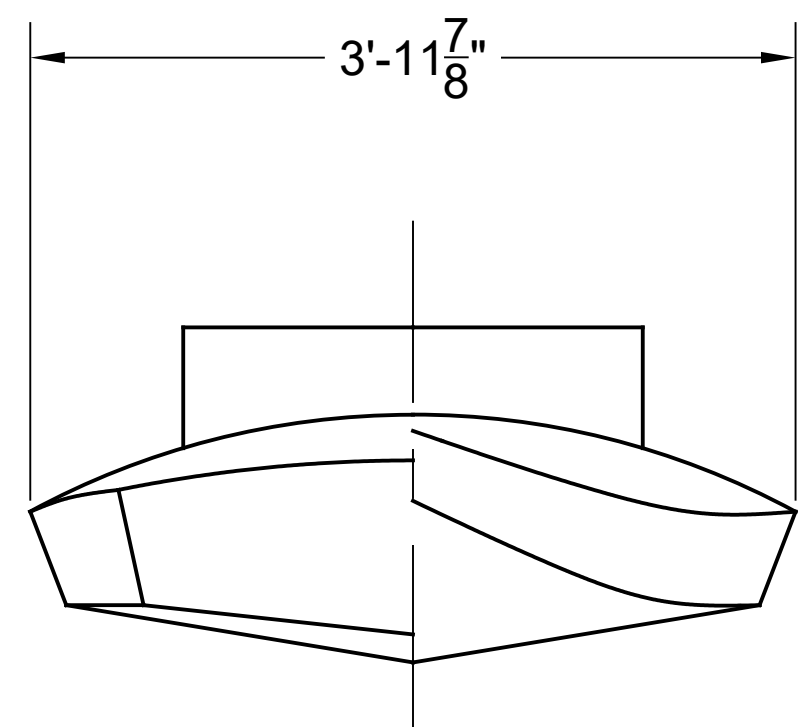
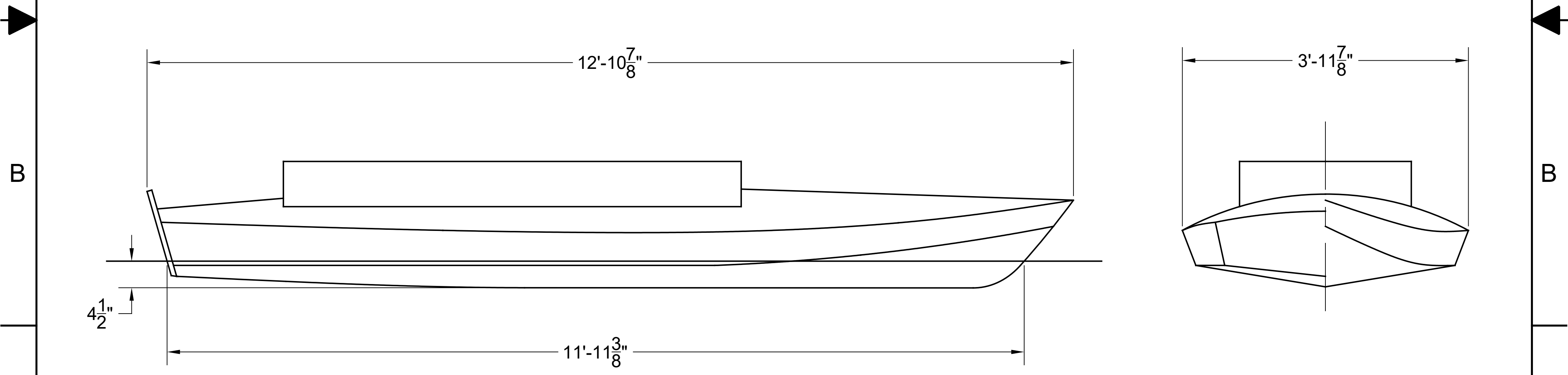
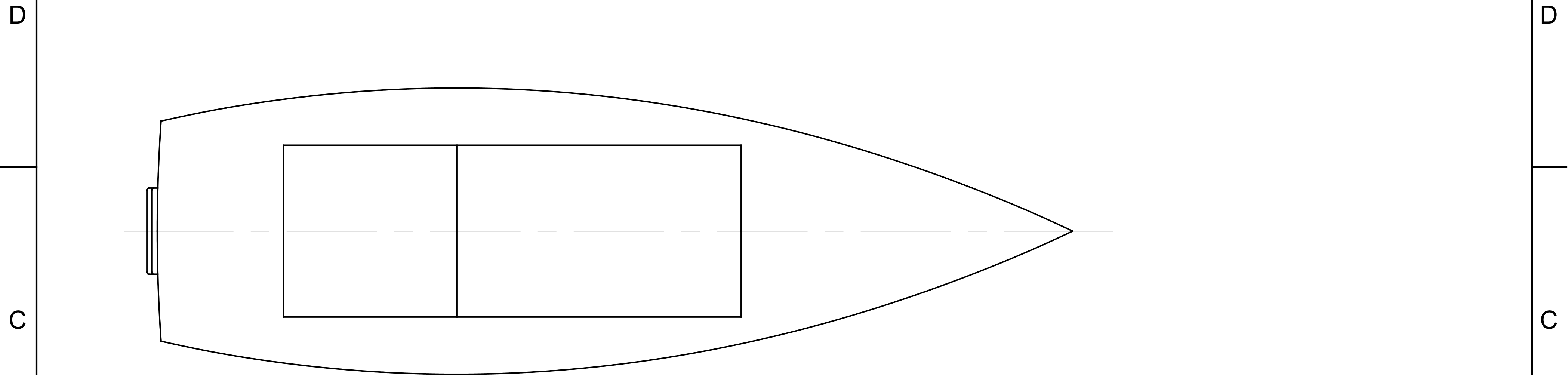
3


2

1

NOTICE
 THIS DRAWING CONTAINS A PROPRIETARY DESIGN ASSIGNED TO SPIRA INTERNATIONAL, INC. ALL RIGHTS TO DUPLICATE, TRANSFER OR USE ARE EXPRESSLY RESERVED BY SPIRA INTERNATIONAL. THE BUYER IS LICENSED TO BUILD ONE ASSEMBLY FROM THESE PLANS.

REVISIONS				
ZONE	LTR	DESCRIPTION	DATE	APPROVED



 **Spira International, Inc.**
 Huntington Beach, California

MARSH RAT
 13' ULTRALIGHT HUNTING BOAT

DRAWN BY: J. SPIRA	DATE: 03/26/06	DRAWING NO. MARS01
SCALE 1" = 1'		SHEET OF

4

3

2

1

A

A

B

B

C

C

D

D

4

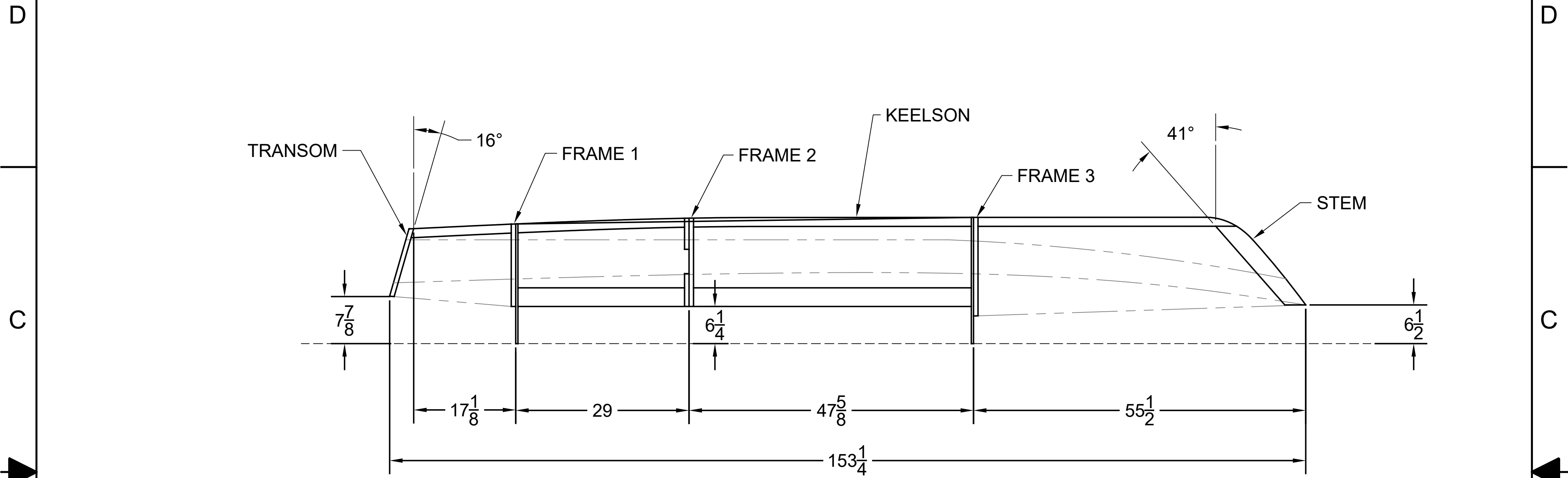
3

2

1

NOTICE
 THIS DRAWING CONTAINS A PROPRIETARY DESIGN ASSIGNED TO SPIRA INTERNATIONAL, INC. ALL RIGHTS TO DUPLICATE, TRANSFER OR USE ARE EXPRESSLY RESERVED BY SPIRA INTERNATIONAL. THE BUYER IS LICENSED TO BUILD ONE ASSEMBLY FROM THESE PLANS.


REVISIONS				
ZONE	LTR	DESCRIPTION	DATE	APPROVED
	B	SEQUENCE ITEM 4	05/25/11	JJS



SET UP DIMENSIONS

ASSEMBLY SEQUENCE

1. ATTACH 1X4 COCKPIT SIDES TO FRAMES 1 & 3
2. ATTACH FRAME 2 TO COCKPIT SIDE 1X4S
3. SET UP STEM & TRANSOM TO TEMPORARY BRACKETS MADE FROM SCRAP LUMBER.
4. ATTACH KEELSON TO ALL FRAMES
5. NOTCH FOR SHEER CLAMP & ATTACH
6. NOTCH FOR SHEER CLAMP AND ATTACH
7. USING FRAMING AS A PATTERN, CUT OUT AND ATTACH BOTTOM PLANKING
8. USING FRAMING AS A PATTERN, CUT OUT AND ATTACH SIDE PLANKING
9. FLIP OVER AND CUT OUT BUTT BLOCKS FOR ALL PLANKING SEAMS FOR 4" MINIMUM OVERLAP - ATTACH.
10. INSTALL DECKING AND COCKPIT SIDE PLY
11. ATTACH MOTORBOARD

 Spira International, Inc. Huntington Beach, California		
MARSH RAT 13' ULTRALIGHT HUNTING BOAT		
DRAWN BY: J. SPIRA	DATE: 03/26/06	DRAWING NO. MARS04
SCALE 2" = 1'		SHEET OF

4

3

2

1