

4

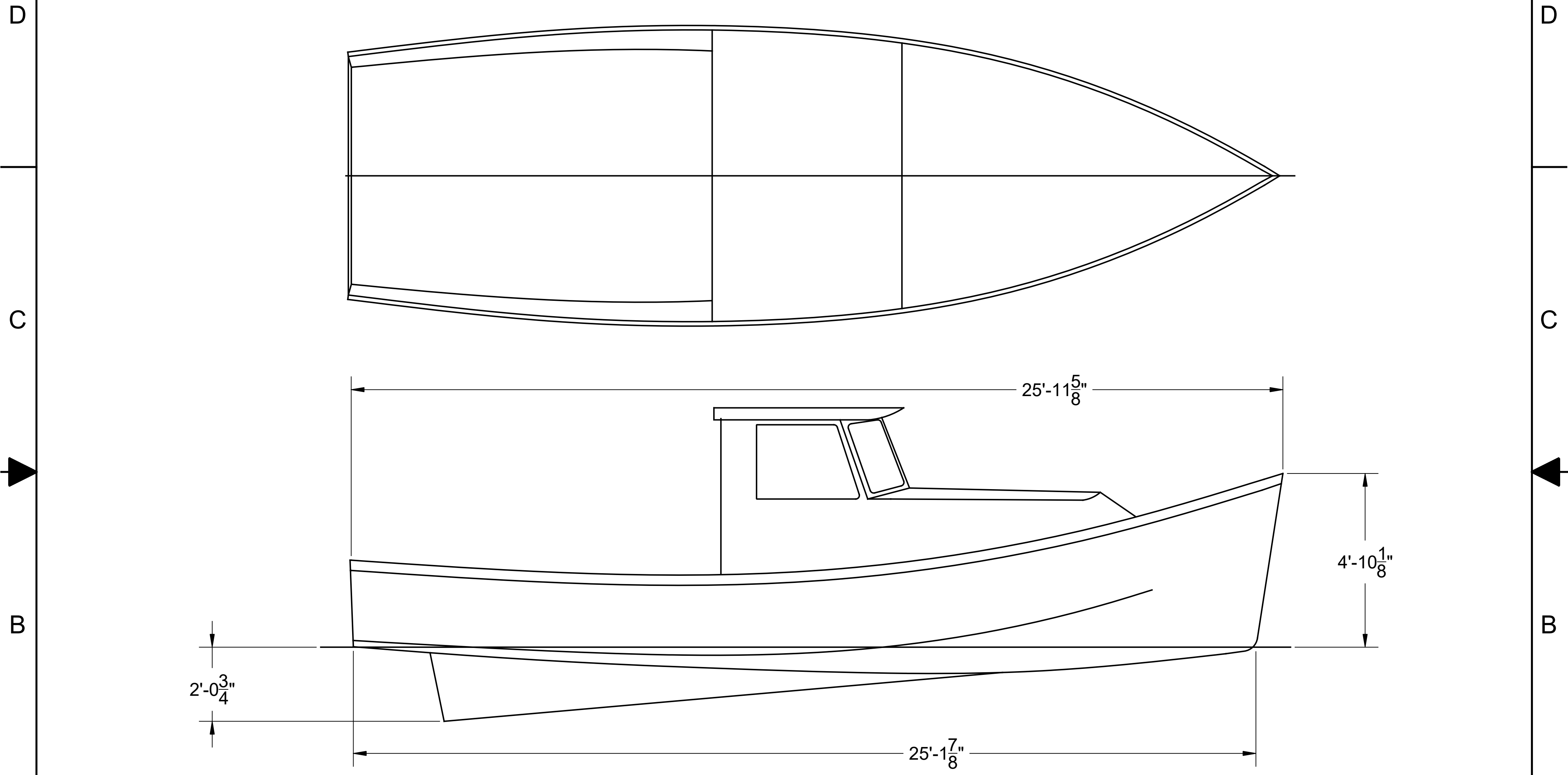
3

2


1

NOTICE
 THIS DRAWING CONTAINS A PROPRIETARY DESIGN ASSIGNED TO SPIRA INTERNATIONAL, INC. ALL RIGHTS TO DUPLICATE, TRANSFER OR USE ARE EXPRESSLY RESERVED BY SPIRA INTERNATIONAL. THE BUYER IS LICENSED TO BUILD ONE ASSEMBLY FROM THESE PLANS.

REVISIONS				
ZONE	LTR	DESCRIPTION	DATE	APPROVED
	A	ADDED SPECIFICATION TABLE	10/14/14	JJS



SPECIFICATIONS	
MAX. DISPLACEMENT	7,800 LBS
HULL WEIGHT	2250 LBS
MIN. HP	15 HP
RECOMMENDED HP	50 HP

 **Spira International, Inc.**
 Huntington Beach, California

KONA
 26' HAWAIIAN SAMPAN

DRAWN BY: J. SPIRA	DATE: 01/14/08	DRAWING NO. KONA01
-----------------------	-------------------	-----------------------

SCALE 1/2" = 1' & NOTED SHEET OF

4

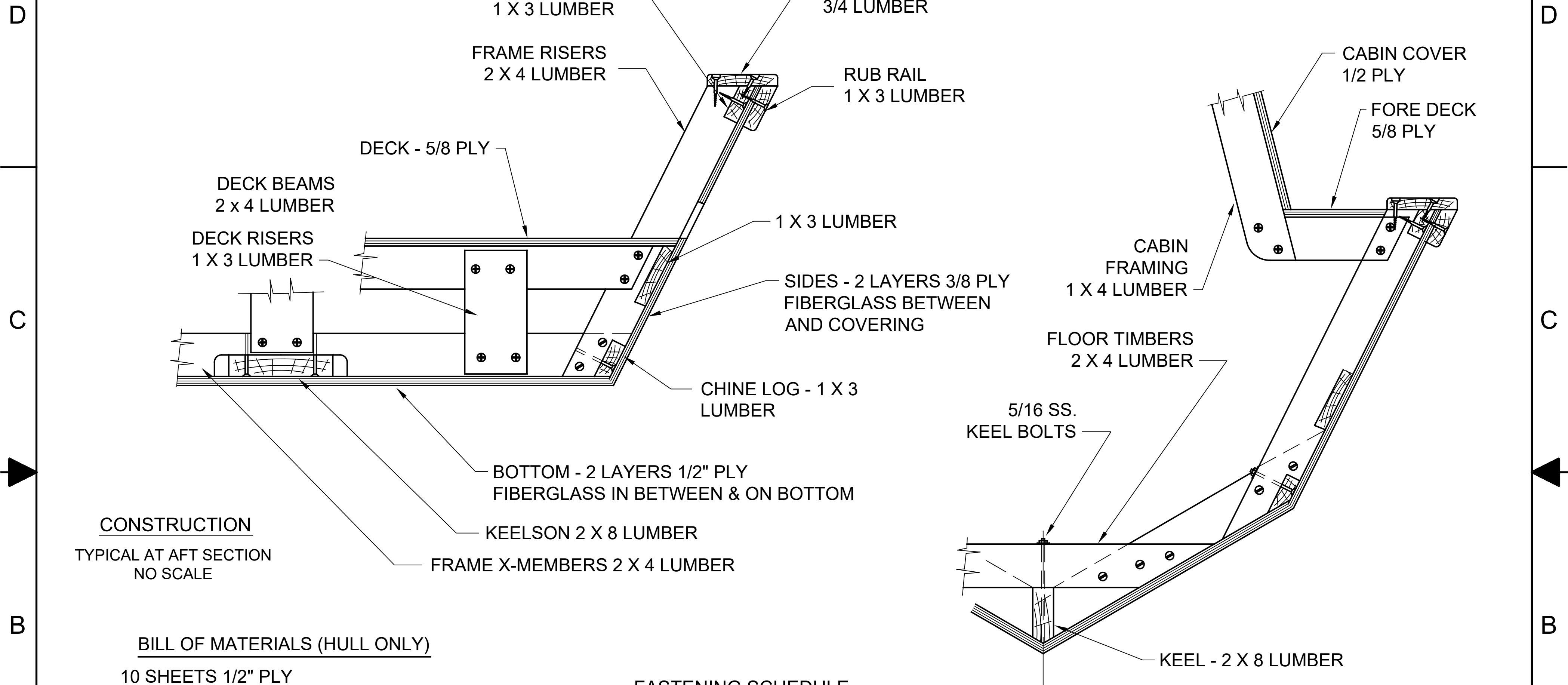
3

2

1

NOTICE
 THIS DRAWING CONTAINS A PROPRIETARY DESIGN ASSIGNED TO SPIRA INTERNATIONAL, INC. ALL RIGHTS TO DUPLICATE, TRANSFER OR USE ARE EXPRESSLY RESERVED BY SPIRA INTERNATIONAL. THE BUYER IS LICENSED TO BUILD ONE ASSEMBLY FROM THESE PLANS.

REVISIONS				
ZONE	LTR	DESCRIPTION	DATE	APPROVED
	B	UPDATES STEM MATERIALS IN BOM	10/14/14	JJS



CONSTRUCTION
 TYPICAL AT AFT SECTION
 NO SCALE

BILL OF MATERIALS (HULL ONLY)

- 10 SHEETS 1/2" PLY
- 10 SHEETS 3/8" PLY
- 1 SHEET 3/4" PLY
- 230' 2X4 LUMBER FOR FRAMES
- 180' 1X3 CLEAR LUMBER FOR SHEER CLAMP, CHINE LOG AND RUB RAILS
- 60' 1X8 LUMBER FOR RAIL CAPS
- 22' 2X6 LUMBER FOR KEELSON
- 14' 2X8 LUMBER FOR TRANSOM
- 200 #10 X 2-1/2 SS DECK SCREWS
- 250 #10 X 2 SS DECK SCREWS
- 2000 #8 X 2 SS DECK SCREWS
- 12 - 5/16 ALLTHREAD SS KEEL BOLTS, NUTS & WASHERS
- 10 GAL EPOXY RESIN
- 70 YDS 10 OZ FIBERGLASS CLOTH


FASTENING SCHEDULE

- 2x FRAME TO 2x FRAME: #10 X 2 -1/2 DECK SCREWS
- 1X FRAME TO 2X FRAME: #10 X 2 DECK SCREWS
- PLANKING TO FRAME: #8 X 2 DECK SCREWS

NOTES:

1. YOU MAY SCARF TOGETHER SHORTER PIECES TO CREATE THE LONGITUDINAL ELEMENTS.
2. NOMINAL LUMBER SIZED CALLED OUT, E.G. A 2 X 4 LUMBER IS ACTUAL SIZE 1-1/2" X 3-1/2"

VEE BOTTOM CONSTRUCTION
 FORWARD SECTIONS
 NO SCALE

 Spira International, Inc. Huntington Beach, California		
KONA 25' HAWAIIAN SAMPAN		
DRAWN BY: J. SPIRA	DATE: 01/14/08	DRAWING NO. KONA02
SCALE 1/2" = 1' & NOTED		SHEET OF