

4

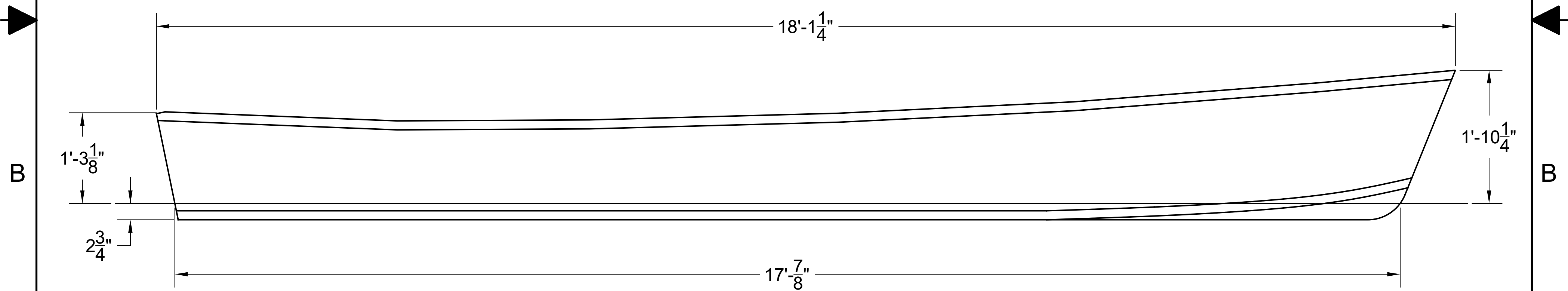
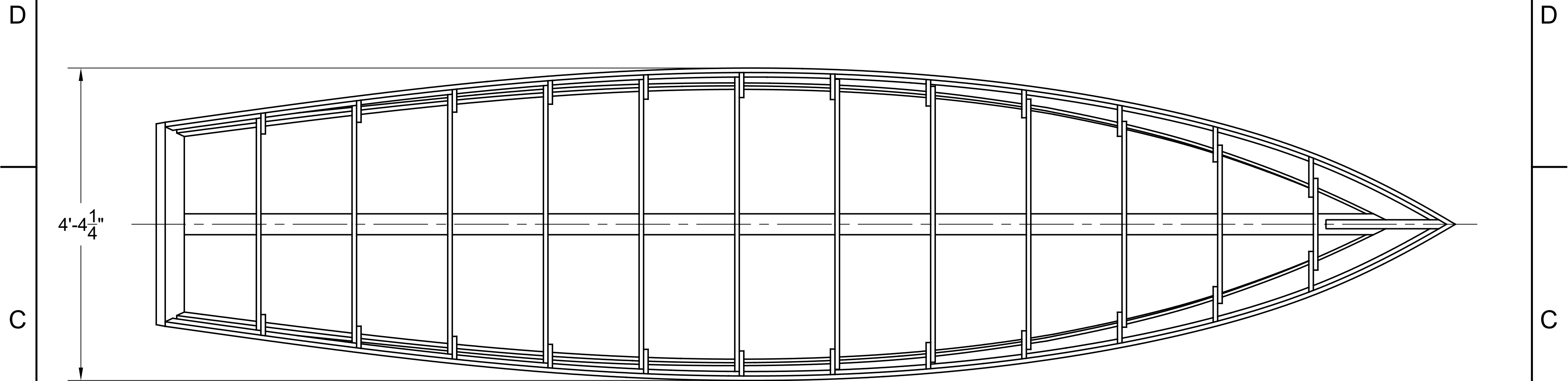
3

2


1

**NOTICE**  
 THIS DRAWING CONTAINS A PROPRIETARY DESIGN ASSIGNED TO SPIRA INTERNATIONAL, INC. ALL RIGHTS TO DUPLICATE, TRANSFER OR USE ARE EXPRESSLY RESERVED BY SPIRA INTERNATIONAL. THE BUYER IS LICENSED TO BUILD ONE ASSEMBLY FROM THESE PLANS.

REVISIONS				
ZONE	LTR	DESCRIPTION	DATE	APPROVED



SPECIFICATIONS	
MAX. DISPLACEMENT	1030 LBS
HULL WEIGHT	410 LBS
CALC. MAX. HORSEPOWER	15 HP
RECOMMENDED HP	7 1/2 HP

 **Spira International, Inc.**  
 Huntington Beach, California

**KA-JOE**  
**18' QUIET FLATS BOAT**

DRAWN BY: J. SPIRA	DATE: 08/10/10	DRAWING NO. KAJO01
-----------------------	-------------------	-----------------------

SCALE 1" = 1' & NOTED      SHEET      OF

4

3

2

1

4

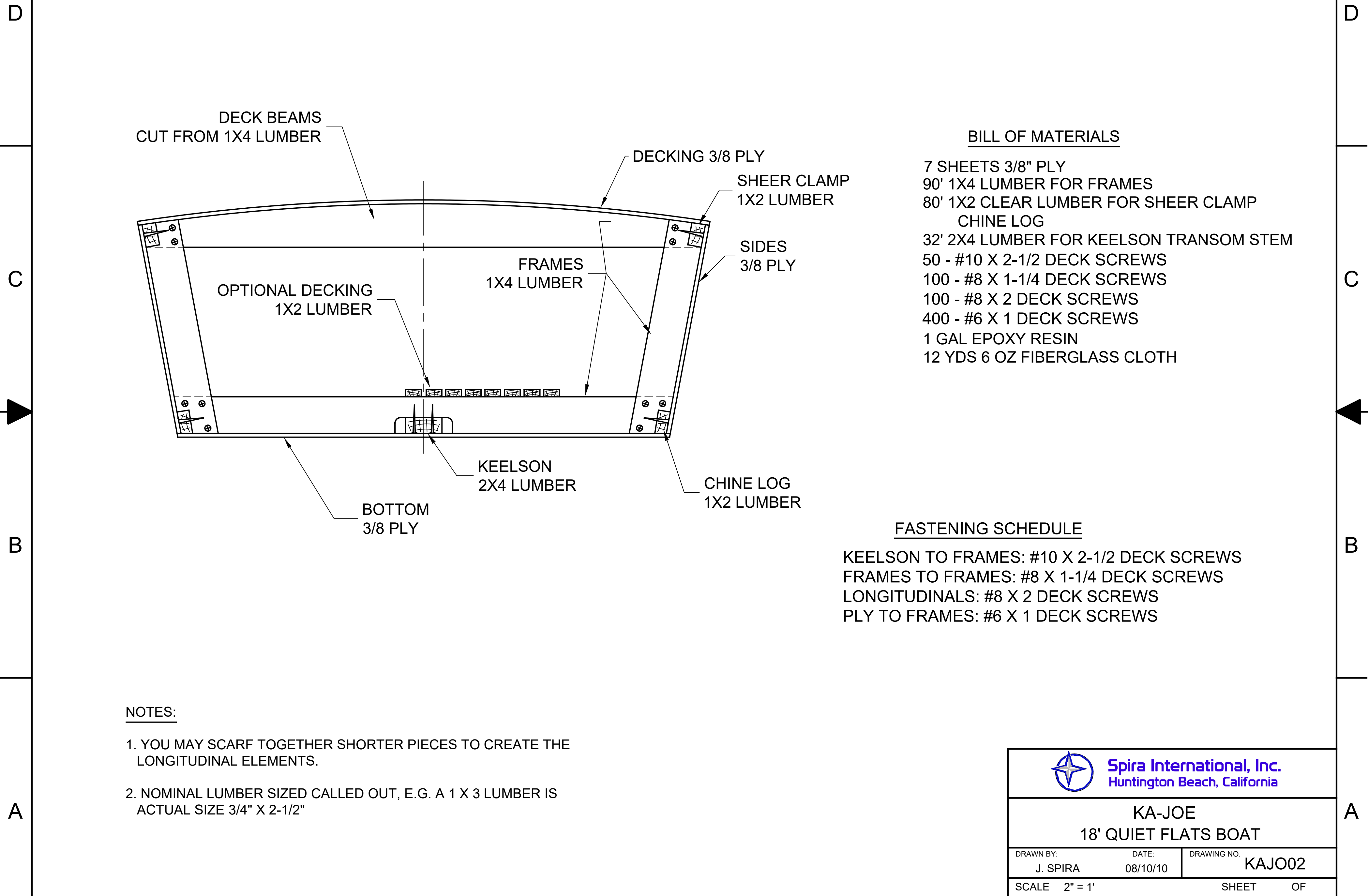
3

2

1

**NOTICE**  
 THIS DRAWING CONTAINS A PROPRIETARY DESIGN ASSIGNED TO SPIRA INTERNATIONAL, INC. ALL RIGHTS TO DUPLICATE, TRANSFER OR USE ARE EXPRESSLY RESERVED BY SPIRA INTERNATIONAL. THE BUYER IS LICENSED TO BUILD ONE ASSEMBLY FROM THESE PLANS.

REVISIONS				
ZONE	LTR	DESCRIPTION	DATE	APPROVED



**BILL OF MATERIALS**


- 7 SHEETS 3/8" PLY
- 90' 1X4 LUMBER FOR FRAMES
- 80' 1X2 CLEAR LUMBER FOR SHEER CLAMP
- CHINE LOG
- 32' 2X4 LUMBER FOR KEELSON TRANSOM STEM
- 50 - #10 X 2-1/2 DECK SCREWS
- 100 - #8 X 1-1/4 DECK SCREWS
- 100 - #8 X 2 DECK SCREWS
- 400 - #6 X 1 DECK SCREWS
- 1 GAL EPOXY RESIN
- 12 YDS 6 OZ FIBERGLASS CLOTH

**FASTENING SCHEDULE**

- KEELSON TO FRAMES: #10 X 2-1/2 DECK SCREWS
- FRAMES TO FRAMES: #8 X 1-1/4 DECK SCREWS
- LONGITUDINALS: #8 X 2 DECK SCREWS
- PLY TO FRAMES: #6 X 1 DECK SCREWS

**NOTES:**

1. YOU MAY SCARF TOGETHER SHORTER PIECES TO CREATE THE LONGITUDINAL ELEMENTS.
2. NOMINAL LUMBER SIZED CALLED OUT, E.G. A 1 X 3 LUMBER IS ACTUAL SIZE 3/4" X 2-1/2"

 <b>Spira International, Inc.</b> Huntington Beach, California		
<b>KA-JOE</b> <b>18' QUIET FLATS BOAT</b>		
DRAWN BY: J. SPIRA	DATE: 08/10/10	DRAWING NO. KAJO02
SCALE 2" = 1'		SHEET OF

4

3

2

1