

4

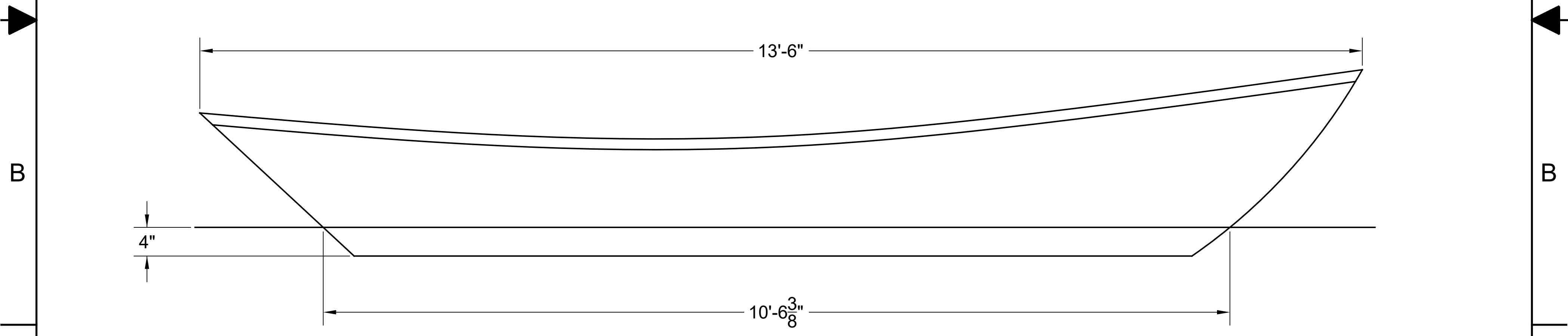
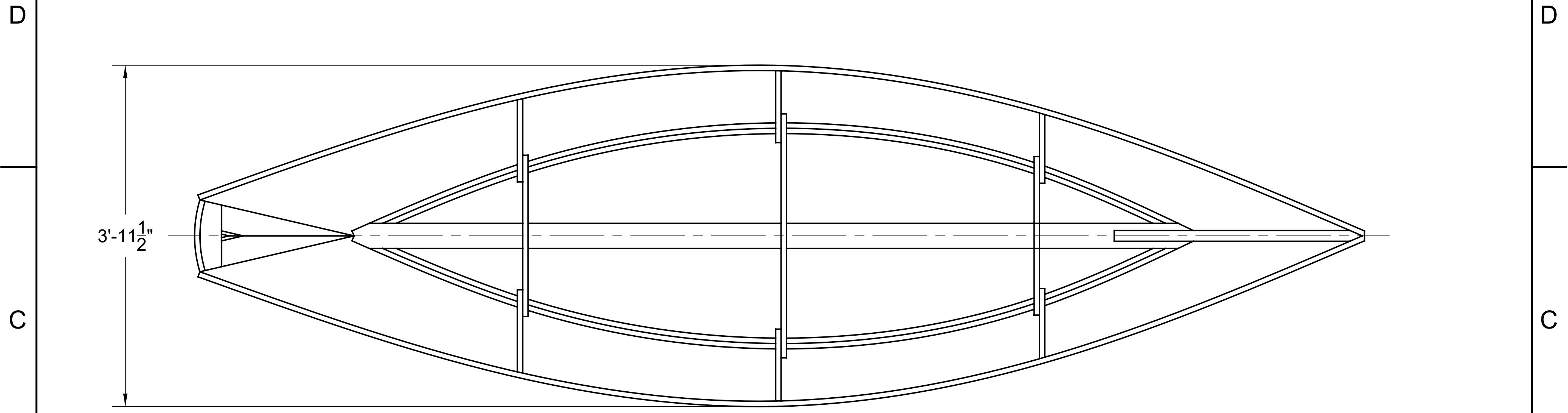
3

2


1

NOTICE
 THIS DRAWING CONTAINS A PROPRIETARY DESIGN ASSIGNED TO SPIRA INTERNATIONAL, INC. ALL RIGHTS TO DUPLICATE, TRANSFER OR USE ARE EXPRESSLY RESERVED BY SPIRA INTERNATIONAL. THE BUYER IS LICENSED TO BUILD ONE ASSEMBLY FROM THESE PLANS.

REVISIONS				
ZONE	LTR	DESCRIPTION	DATE	APPROVED
	B	ADDED SPECIFICATION TABLE	12/30/14	JJS



SPECIFICATIONS	
MAX. DISPLACEMENT	620 LBS
HULL WEIGHT	150 LBS
MAX. LOAD	470 LBS
RECOMMENDED HP	OAR ONLY

 **Spira International, Inc.**
 Huntington Beach, California

JUNEAU
 14' FRAMED DORY

DRAWN BY: J. SPIRA	DATE: 12/05/01	DRAWING NO. JUNE01
SCALE 1/10	SHEET OF	

4

3

2

1

4

3

2

1

NOTICE
 THIS DRAWING CONTAINS A PROPRIETARY DESIGN ASSIGNED TO SPIRA INTERNATIONAL, INC. ALL RIGHTS TO DUPLICATE, TRANSFER OR USE ARE EXPRESSLY RESERVED BY SPIRA INTERNATIONAL. THE BUYER IS LICENSED TO BUILD ONE ASSEMBLY FROM THESE PLANS.

REVISIONS				
ZONE	LTR	DESCRIPTION	DATE	APPROVED
	A	ADDED BOM, FASTENING & NOTES	10/23/10	JJS

BILL OF MATERIALS - HULL ONLY

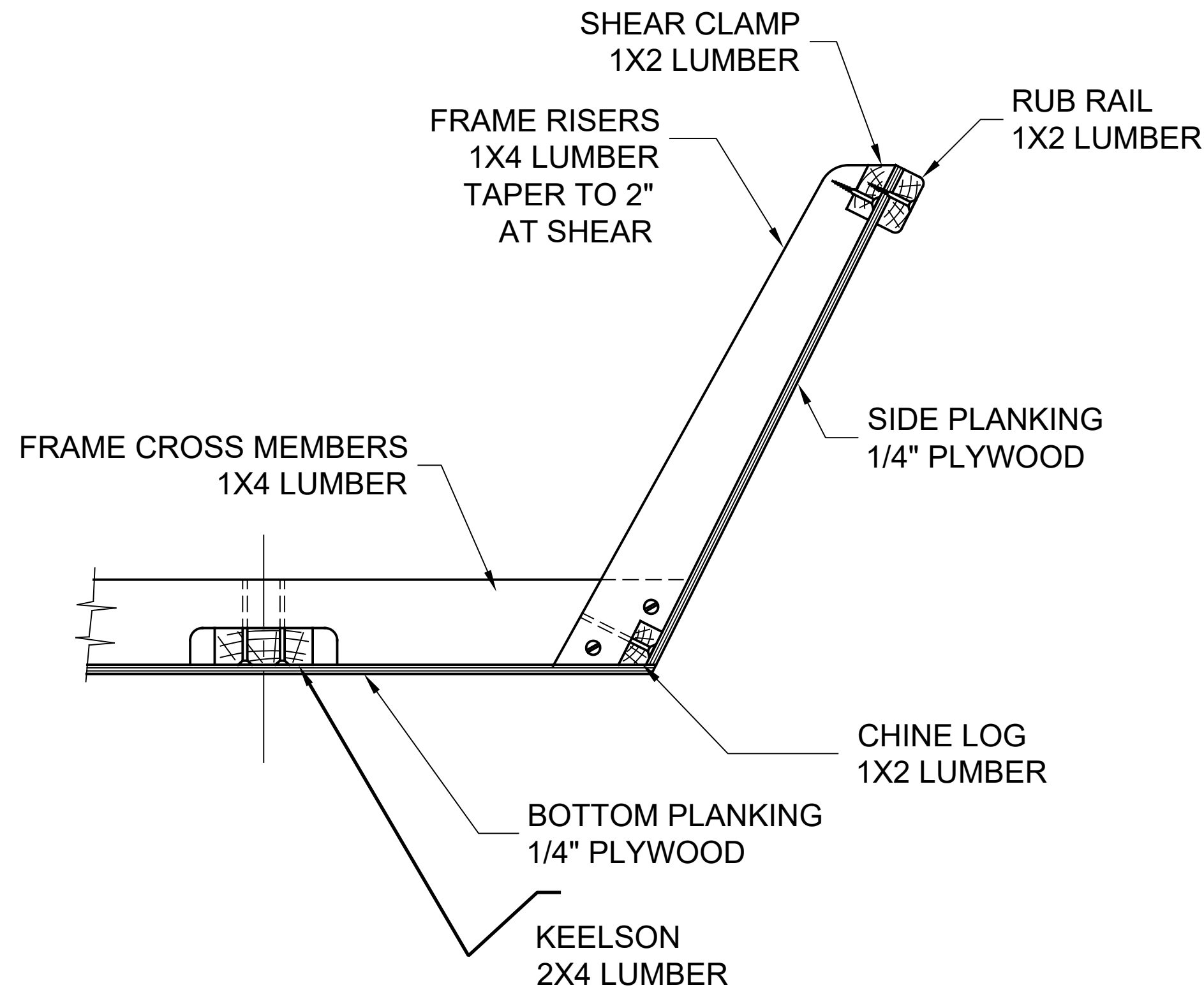
- 3 SHEETS 1/4" PLYWOOD
- 36' 1X4 LUMBER FOR FRAMES
- 90' 1X2 LUMBER FOR SHEER CLAMP, CHINE LOG & RUB RAILS
- 12' 2X4 LUMBER FOR KEELSON
- 4' 2X6 LUMBER FOR STEM
- 25 - #10 X 3 DECK SCREWS
- 100 - #8 X 1-1/4 DECK SCREWS
- 250 - #6 X 1 DECK SCREWS
- 1 GAL EPOXY RESIN
- 8 YDS 6 OZ FIBERGLASS CLOTH

FASTENING SCHEDULE


- KEELSON TO FRAMES: #10 X 3 DECK SCREWS
- FRAMES TO FRAMES: #8 X 1-1/4 DECK SCREWS
- LONGITUDINALS: #8 X 1-1/4 DECK SCREWS
- PLY TO FRAMES: #6 X 1 DECK SCREWS

NOTES:

1. YOU MAY SCARF TOGETHER SHORTER PIECES TO CREATE THE LONGITUDINAL ELEMENTS.
2. NOMINAL LUMBER SIZED CALLED OUT, E.G. A 1 X 3 LUMBER IS ACTUAL SIZE 3/4" X 2-1/2"



CONSTRUCTION METHOD
 TYPICAL AT EACH FRAME

 Spira International, Inc. Huntington Beach, California		
JUNEAU FRAMING DETAILS		
DRAWN BY:	DATE:	DRAWING NO.
J. SPIRA	12/12/01	JUNE02
SCALE	1/10 & NOTED	SHEET OF

4

3

2

1