

4

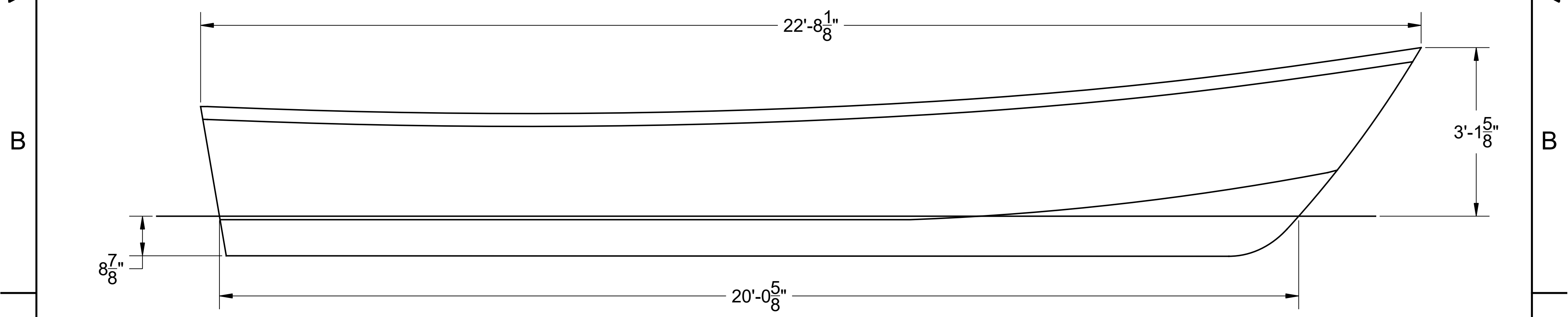
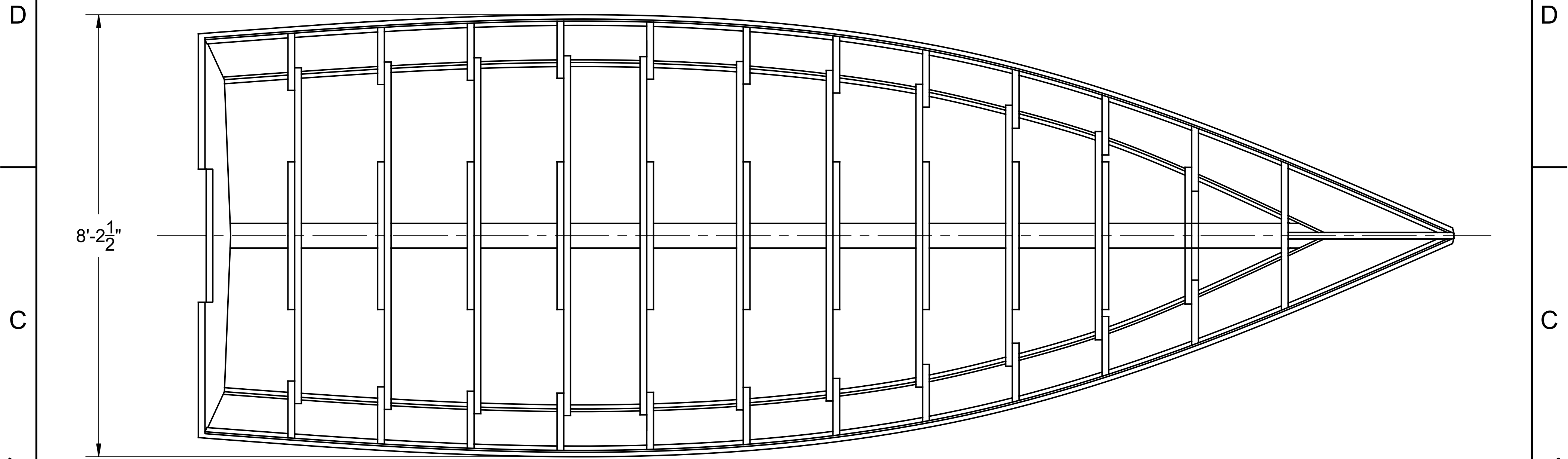
3

2


1

**NOTICE**  
 THIS DRAWING CONTAINS A PROPRIETARY DESIGN ASSIGNED TO SPIRA INTERNATIONAL, INC. ALL RIGHTS TO DUPLICATE, TRANSFER OR USE ARE EXPRESSLY RESERVED BY SPIRA INTERNATIONAL. THE BUYER IS LICENSED TO BUILD ONE ASSEMBLY FROM THESE PLANS.

REVISIONS				
ZONE	LTR	DESCRIPTION	DATE	APPROVED
	A	ADDED WATERLINE LENGTH	08/18/15	JJS



SPECIFICATIONS	
MAX. DISPLACEMENT	5900 LBS
HULL WEIGHT	1700 LBS
CALC. MAX. HORSEPOWER	275 HP
RECOMMENDED HP	90 HP

 **Spira International, Inc.**  
 Huntington Beach, California

**IXTAPA**  
 23' SUPER PANGA

DRAWN BY: J. SPIRA	DATE: 05/25/13	DRAWING NO. <b>IXTA01</b>
-----------------------	-------------------	------------------------------

SCALE 3/4" = 1' SHEET OF

4

3

2

1

4

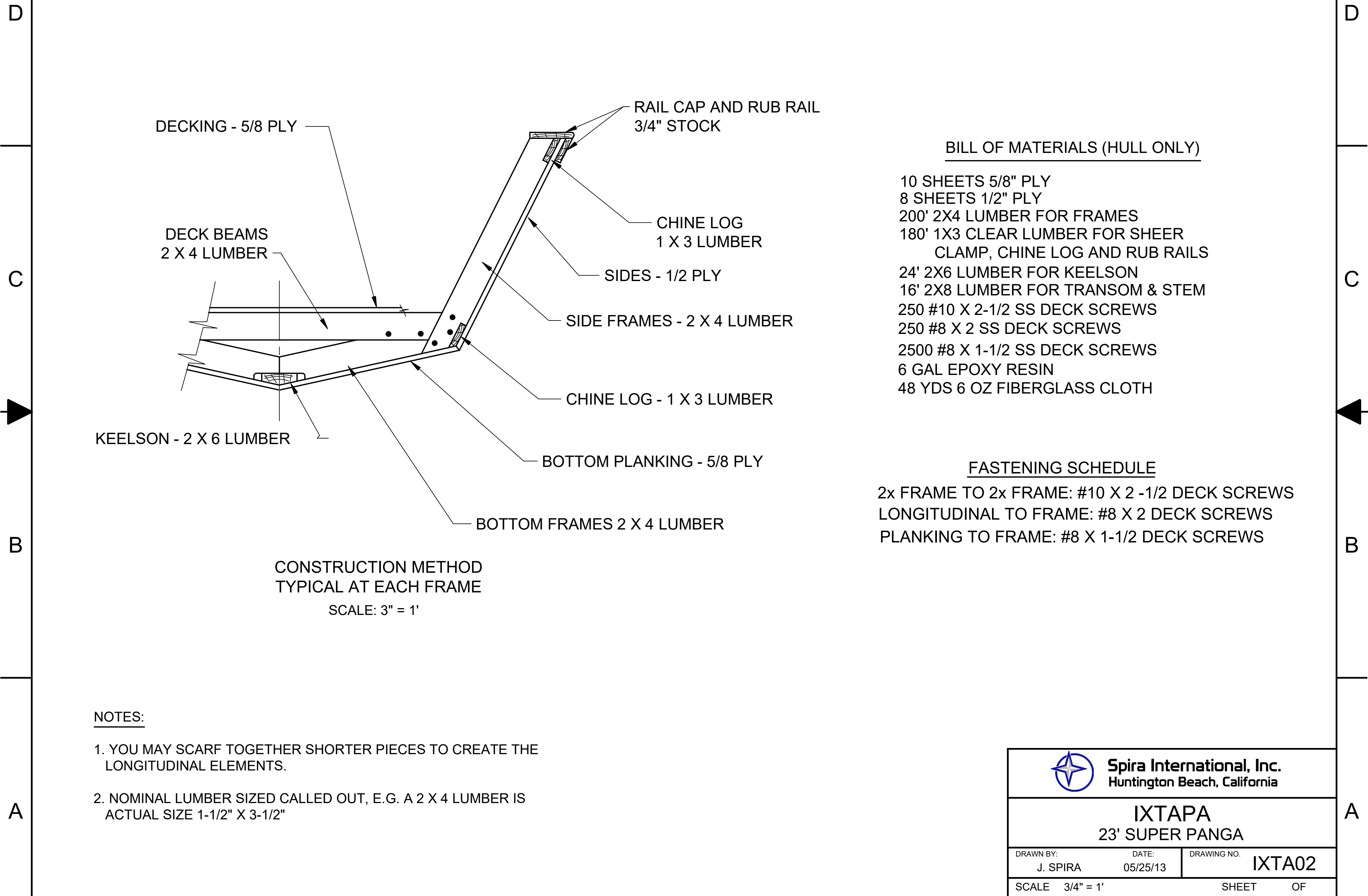
3

2

1

**NOTICE**  
 THIS DRAWING CONTAINS A PROPRIETARY DESIGN ASSIGNED TO SPIRA INTERNATIONAL, INC. ALL RIGHTS TO DUPLICATE, TRANSFER OR USE ARE EXPRESSLY RESERVED BY SPIRA INTERNATIONAL. THE BUYER IS LICENSED TO BUILD ONE ASSEMBLY FROM THESE PLANS.

REVISIONS				
ZONE	LTR	DESCRIPTION	DATE	APPROVED
	A	REMOVED SEQUENCE OF OPERATIONS	08/18/15	JJS



**BILL OF MATERIALS (HULL ONLY)**

- 10 SHEETS 5/8" PLY
- 8 SHEETS 1/2" PLY
- 200' 2X4 LUMBER FOR FRAMES
- 180' 1X3 CLEAR LUMBER FOR SHEER CLAMP, CHINE LOG AND RUB RAILS
- 24' 2X6 LUMBER FOR KEELSON
- 16' 2X8 LUMBER FOR TRANSOM & STEM
- 250 #10 X 2-1/2 SS DECK SCREWS
- 250 #8 X 2 SS DECK SCREWS
- 2500 #8 X 1-1/2 SS DECK SCREWS
- 6 GAL EPOXY RESIN
- 48 YDS 6 OZ FIBERGLASS CLOTH


**FASTENING SCHEDULE**

- 2x FRAME TO 2x FRAME: #10 X 2 -1/2 DECK SCREWS
- LONGITUDINAL TO FRAME: #8 X 2 DECK SCREWS
- PLANKING TO FRAME: #8 X 1-1/2 DECK SCREWS

CONSTRUCTION METHOD  
 TYPICAL AT EACH FRAME  
 SCALE: 3" = 1'

**NOTES:**

1. YOU MAY SCARF TOGETHER SHORTER PIECES TO CREATE THE LONGITUDINAL ELEMENTS.
2. NOMINAL LUMBER SIZED CALLED OUT, E.G. A 2 X 4 LUMBER IS ACTUAL SIZE 1-1/2" X 3-1/2"

 <b>Spira International, Inc.</b> Huntington Beach, California		
<b>IXTAPA</b> 23' SUPER PANGA		
DRAWN BY: J. SPIRA	DATE: 05/25/13	DRAWING NO. <b>IXTA02</b>
SCALE 3/4" = 1'		SHEET OF

4

3

2

1