

4

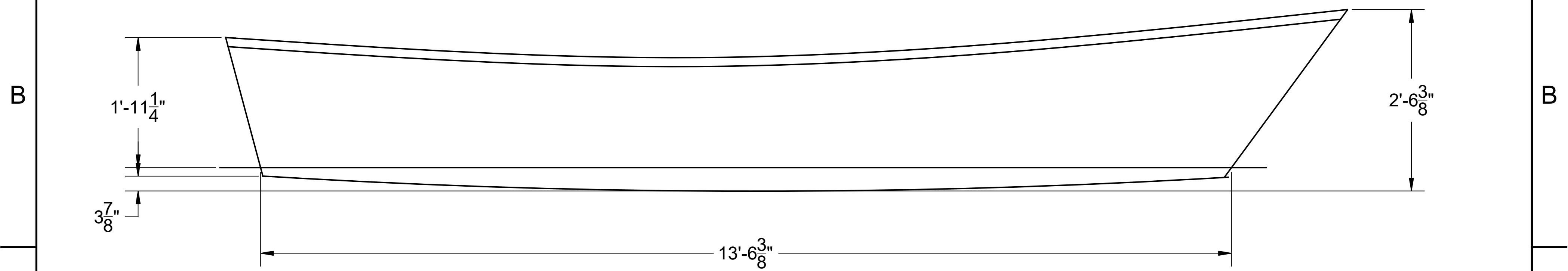
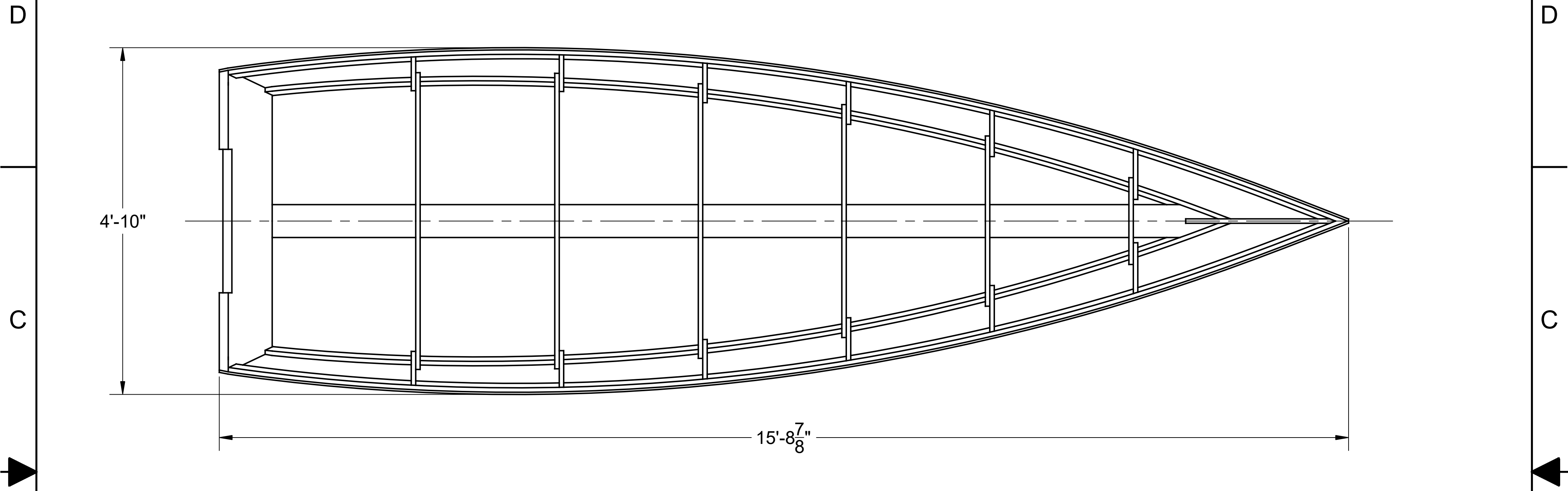
3

2

1

NOTICE
 THIS DRAWING CONTAINS A PROPRIETARY DESIGN ASSIGNED TO SPIRA INTERNATIONAL, INC. ALL RIGHTS TO DUPLICATE, TRANSFER OR USE ARE EXPRESSLY RESERVED BY SPIRA INTERNATIONAL. THE BUYER IS LICENSED TO BUILD ONE ASSEMBLY FROM THESE PLANS.

| REVISIONS | | | | |
|-----------|-----|---------------------------|----------|----------|
| ZONE | LTR | DESCRIPTION | DATE | APPROVED |
| | A | ADDED SPECIFICATION TABLE | 12/25/16 | JJS |



| SPECIFICATIONS | |
|-------------------|----------|
| MAX. DISPLACEMENT | 1220 LBS |
| HULL WEIGHT | 140 LBS |
| HP - MAXIMUM | 15 HP |
| HP - RECOMMENDED | 7.5 HP |

 **Spira International, Inc.**
 Huntington Beach, California

HUDSON
 15' ROW / POWER SKIFF

| | | |
|-----------------------|-------------------|-----------------------|
| DRAWN BY: J. SPIRA | DATE: 03/14/12 | DRAWING NO. HUDS01 |
|-----------------------|-------------------|-----------------------|

SCALE 1" = 1' SHEET OF

4

3

2

1

4

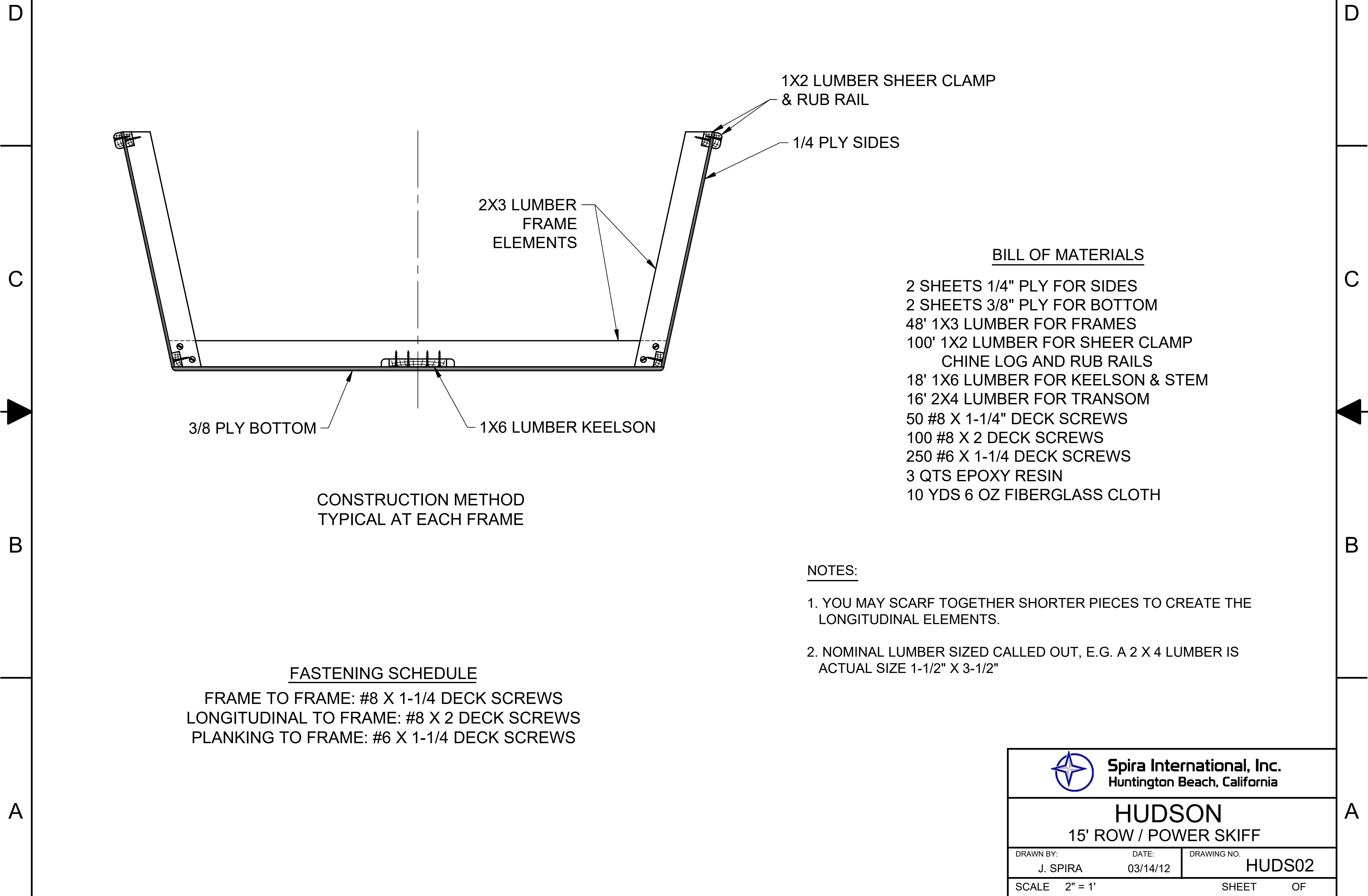
3

2

1

NOTICE
 THIS DRAWING CONTAINS A PROPRIETARY DESIGN ASSIGNED TO SPIRA INTERNATIONAL, INC. ALL RIGHTS TO DUPLICATE, TRANSFER OR USE ARE EXPRESSLY RESERVED BY SPIRA INTERNATIONAL. THE BUYER IS LICENSED TO BUILD ONE ASSEMBLY FROM THESE PLANS.

| REVISIONS | | | | |
|-----------|-----|-------------|------|----------|
| ZONE | LTR | DESCRIPTION | DATE | APPROVED |
| | | | | |



BILL OF MATERIALS

- 2 SHEETS 1/4" PLY FOR SIDES
- 2 SHEETS 3/8" PLY FOR BOTTOM
- 48' 1X3 LUMBER FOR FRAMES
- 100' 1X2 LUMBER FOR SHEER CLAMP CHINE LOG AND RUB RAILS
- 18' 1X6 LUMBER FOR KEELSON & STEM
- 16' 2X4 LUMBER FOR TRANSOM
- 50 #8 X 1-1/4" DECK SCREWS
- 100 #8 X 2 DECK SCREWS
- 250 #6 X 1-1/4 DECK SCREWS
- 3 QTS EPOXY RESIN
- 10 YDS 6 OZ FIBERGLASS CLOTH

NOTES:

1. YOU MAY SCARF TOGETHER SHORTER PIECES TO CREATE THE LONGITUDINAL ELEMENTS.
2. NOMINAL LUMBER SIZED CALLED OUT, E.G. A 2 X 4 LUMBER IS ACTUAL SIZE 1-1/2" X 3-1/2"

FASTENING SCHEDULE

- FRAME TO FRAME: #8 X 1-1/4 DECK SCREWS
- LONGITUDINAL TO FRAME: #8 X 2 DECK SCREWS
- PLANKING TO FRAME: #6 X 1-1/4 DECK SCREWS

| | | |
|--|-------------------|-----------------------|
|  Spira International, Inc. Huntington Beach, California | | |
| HUDSON 15' ROW / POWER SKIFF | | |
| DRAWN BY: J. SPIRA | DATE: 03/14/12 | DRAWING NO. HUDS02 |
| SCALE 2" = 1' | | SHEET OF |

4

3

2

1

A

A

B

B

C

C

D

D