

4

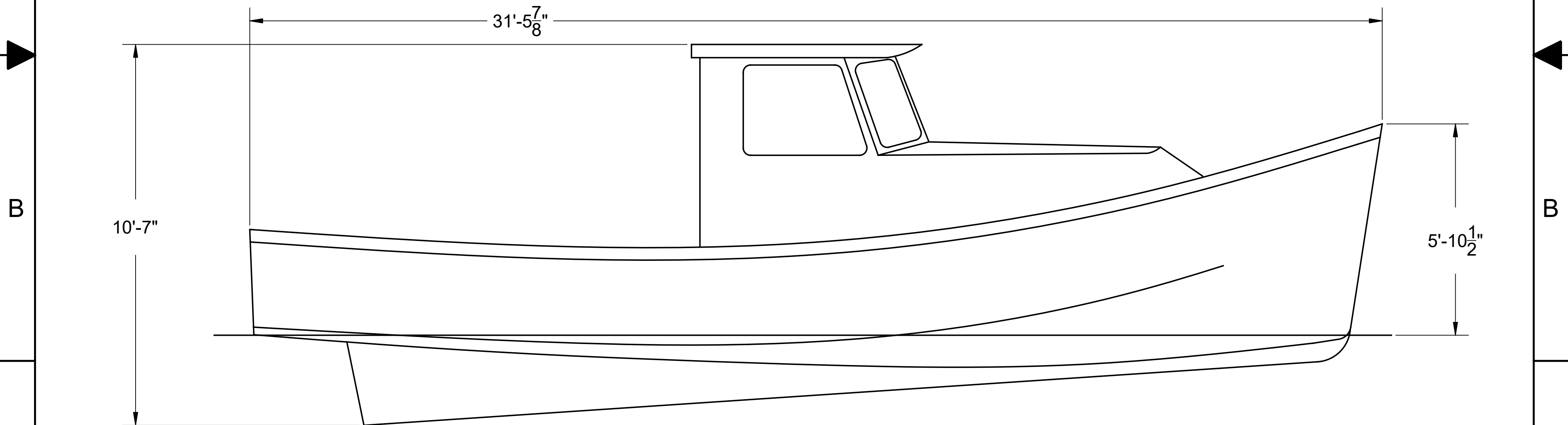
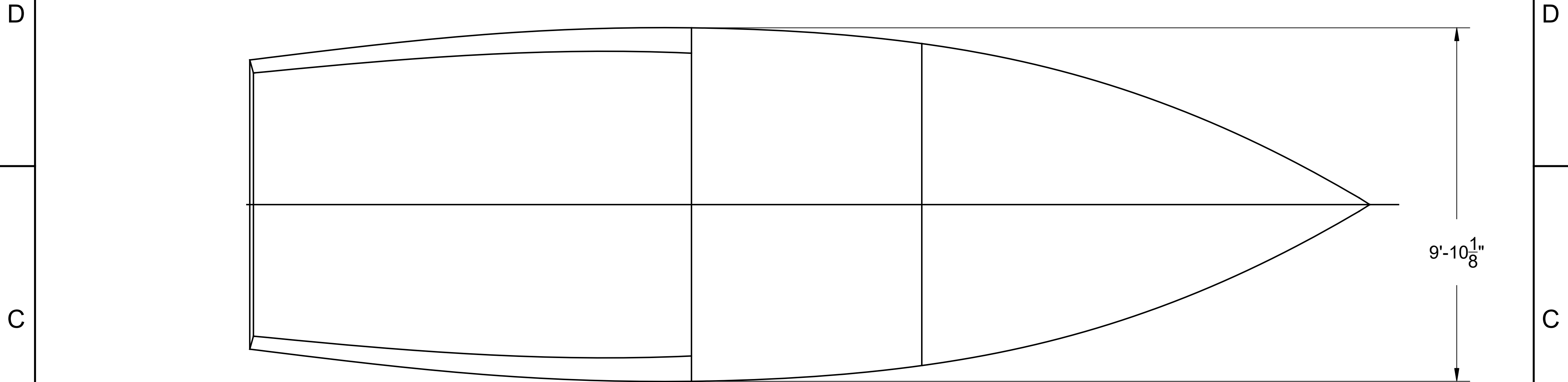
3

2


1

NOTICE
 THIS DRAWING CONTAINS A PROPRIETARY DESIGN ASSIGNED TO SPIRA INTERNATIONAL, INC. ALL RIGHTS TO DUPLICATE, TRANSFER OR USE ARE EXPRESSLY RESERVED BY SPIRA INTERNATIONAL. THE BUYER IS LICENSED TO BUILD ONE ASSEMBLY FROM THESE PLANS.

REVISIONS				
ZONE	LTR	DESCRIPTION	DATE	APPROVED
	A	ADDED SPECIFICATIONS TABLE	03/05/14	JJS



SPECIFICATIONS	
MAX. DISPLACEMENT	14,000 LBS
HULL WEIGHT	5500 LBS
CALC. MAX. HORSEPOWER	350 HP
RECOMMENDED HP	90 HP

 **Spira International, Inc.**
 Huntington Beach, California

HILO
 31' HAWAIIAN SAMPAN

DRAWN BY: J. SPIRA	DATE: 04/19/09	DRAWING NO. HILO01
-----------------------	-------------------	-----------------------

SCALE 1/2" = 1' & NOTED SHEET OF

4

3

2

1

4

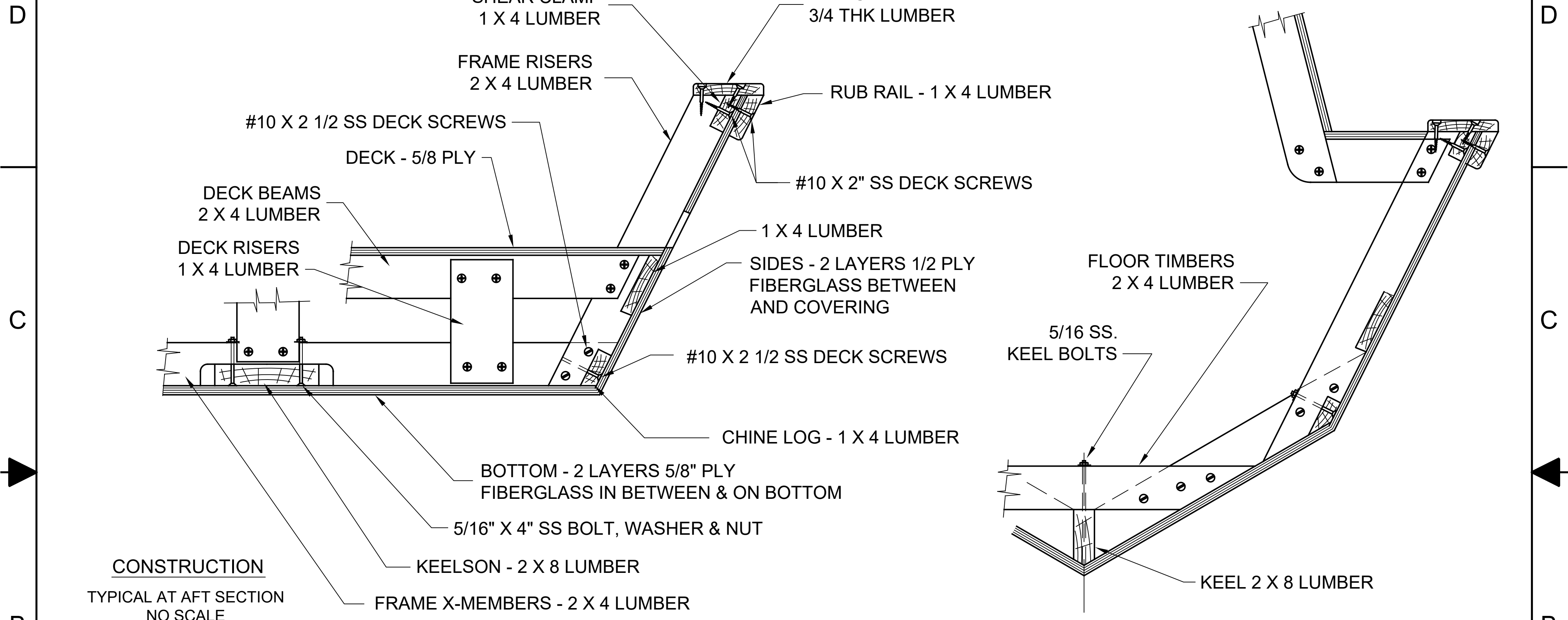
3

2

1

NOTICE
 THIS DRAWING CONTAINS A PROPRIETARY DESIGN ASSIGNED TO SPIRA INTERNATIONAL, INC. ALL RIGHTS TO DUPLICATE, TRANSFER OR USE ARE EXPRESSLY RESERVED BY SPIRA INTERNATIONAL. THE BUYER IS LICENSED TO BUILD ONE ASSEMBLY FROM THESE PLANS.

REVISIONS				
ZONE	LTR	DESCRIPTION	DATE	APPROVED
	C	CORRECTED BOM	3/5/14	JJS



CONSTRUCTION

TYPICAL AT AFT SECTION
 NO SCALE

VEE BOTTOM CONSTRUCTION

FORWARD SECTIONS
 NO SCALE

BILL OF MATERIALS (HULL)

- 18 SHEETS - 5/8 PLY FOR BOTTOM
- 16 SHEETS - 1/2 PLY FOR SIDES
- 180' - 1X4 LUMBER FOR LONGITUDINALS & DECK BRACES
- 72' - 1X8 LUMBER FOR RAIL CAPS
- 440' - 2X4 LUMBER FOR FRAMING
- 42' - 2X8 LUMBER FOR KEELSON & STEM
- 50 - 5/16 X 4 SS BOLTS, NUTS & WASHERS FOR KEELSON
- 5 - 5/16 X 10 SS BOLTS, NUTS & WASHERS FOR KEEL
- 200 - #10 X 2-1/2 SS DECK SCREWS FOR 2X TO 2X FRAMING
- 2500 - #10 X 2 SS DECK SCREWS FOR 1X TO 2X FRAMING & PLANKING
- 80 YDS - 10 OZ, 50" WIDE FIBERGLASS CLOTH
- 20 GAL - EPOXY RESIN

DECKING MATERIALS

- 3 SHEETS - 5/8 PLY
- 250 - #8 x 1-1/2 DECK SCREWS
- 100 SQ. FT - DECK FINISH (FIBERGLASS OR SPECIALTY)

CABIN MATERIALS

- 110' - 1 X 4 LUMBER
- 48' - 1X8 LUMBER
- 6 SHEET - 1/2" PLY
- 250 - #8 x 1-1/2 DECK SCREWS
- 2 QT - EPOXY
- 8 YDS - 50" 6-oz F'GLASS CLOTH

NOTES:

1. YOU MAY SCARF TOGETHER SHORTER PIECES TO CREATE THE LONGITUDINAL ELEMENTS.
2. NOMINAL LUMBER SIZED CALLED OUT, E.G. A 2 X 4 LUMBER IS ACTUAL SIZE 1-1/2" X 3-1/2"



Spira International, Inc.
 Huntington Beach, California

HILO
 31' HAWAIIAN SAMPAN

DRAWN BY: J. SPIRA	DATE: 06/29/10	DRAWING NO. HILO02
-----------------------	-------------------	------------------------------

SCALE 1/2" = 1' & NOTED SHEET OF

4

3

2

1