

4

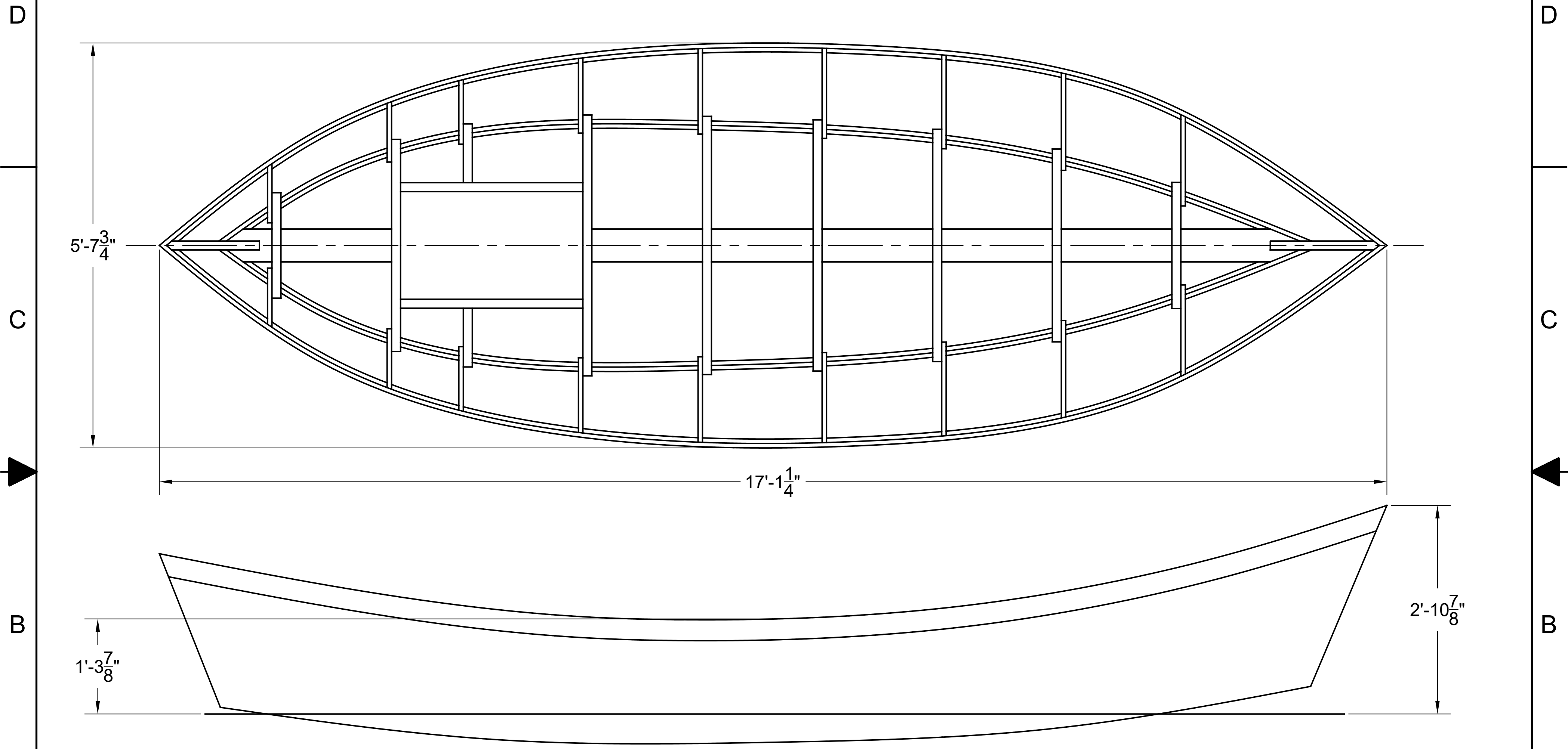
3

2


1

NOTICE
 THIS DRAWING CONTAINS A PROPRIETARY DESIGN ASSIGNED TO SPIRA INTERNATIONAL, INC. ALL RIGHTS TO DUPLICATE, TRANSFER OR USE ARE EXPRESSLY RESERVED BY SPIRA INTERNATIONAL. THE BUYER IS LICENSED TO BUILD ONE ASSEMBLY FROM THESE PLANS.

REVISIONS				
ZONE	LTR	DESCRIPTION	DATE	APPROVED



SPECIFICATIONS	
MAX. DISPLACEMENT	1280 LBS
HULL WEIGHT	525 LBS
CALC. MAX. HORSEPOWER	9.9 HP
RECOMMENDED HP	7 1/2 HP

 **Spira International, Inc.**
 Huntington Beach, California

HAYSTACK BEACH
17' SURF DORY

DRAWN BY: J. SPIRA	DATE: 01/19/14	DRAWING NO. HAYS01
-----------------------	-------------------	-----------------------

SCALE 1" = 1' & NOTED SHEET OF

4

3

2

1

4

3

2

1

NOTICE
 THIS DRAWING CONTAINS A PROPRIETARY DESIGN ASSIGNED TO SPIRA INTERNATIONAL, INC. ALL RIGHTS TO DUPLICATE, TRANSFER OR USE ARE EXPRESSLY RESERVED BY SPIRA INTERNATIONAL. THE BUYER IS LICENSED TO BUILD ONE ASSEMBLY FROM THESE PLANS.

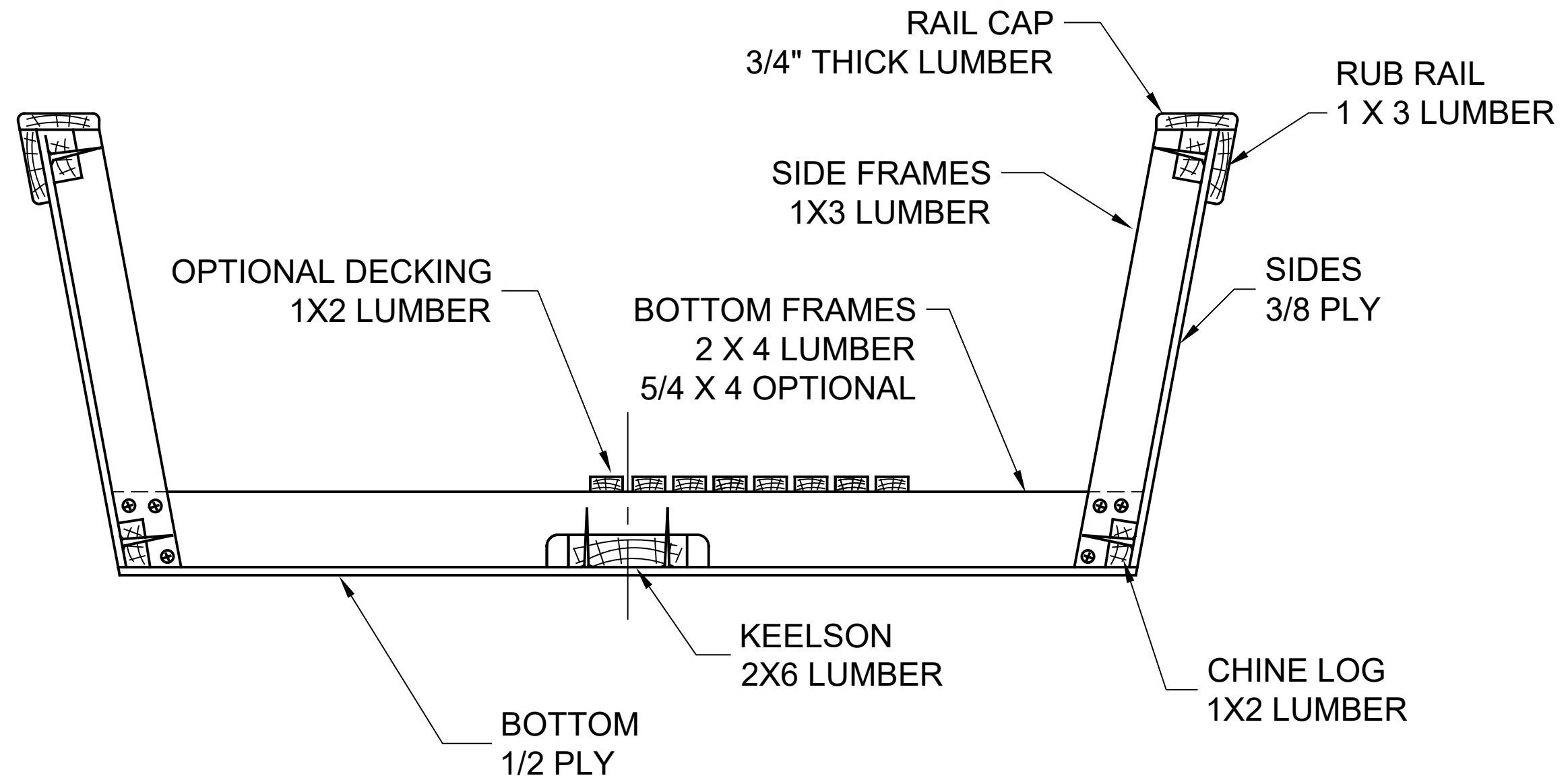
REVISIONS				
ZONE	LTR	DESCRIPTION	DATE	APPROVED

BILL OF MATERIALS

- 4 SHEETS 3/8" PLY
- 3 SHEETS 1/2" PLY
- 75' 1X3 LUMBER - FRAMES & RUB RAIL
- 36' 2X4 LUMBER - FRAMES & MOTOR WELL
- 80' 1X2 CLEAR LUMBER - SHEER CLAMP
- CHINE LOG
- 24' 2X6 LUMBER FOR KEELSON & STEMS
- 50 - #10 X 2-1/2 DECK SCREWS
- 500 - #8 X 1-1/4 DECK SCREWS
- 100 - #8 X 2 DECK SCREWS
- 1 GAL EPOXY RESIN
- 12 YDS 6 OZ FIBERGLASS CLOTH

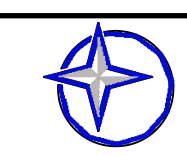
FASTENING SCHEDULE

- KEELSON TO FRAMES: #10 X 2-1/2 DECK SCREWS
- FRAMES TO FRAMES: #8 X 1-1/4 DECK SCREWS
- LONGITUDINALS: #8 X 2 DECK SCREWS
- PLY TO FRAMES: #8 X 1-1/4 DECK SCREWS



NOTES:

1. YOU MAY SCARF TOGETHER SHORTER PIECES TO CREATE THE LONGITUDINAL ELEMENTS.
2. NOMINAL LUMBER SIZED CALLED OUT, E.G. A 1 X 3 LUMBER IS ACTUAL SIZE 3/4" X 2-1/2"



Spira International, Inc.
 Huntington Beach, California

HAYSTACK BEACH
17' SURF DORY

DRAWN BY: J. SPIRA	DATE: 01/19/14	DRAWING NO. HAYS02
SCALE 2" = 1'		SHEET OF

4

3

2

1