

4

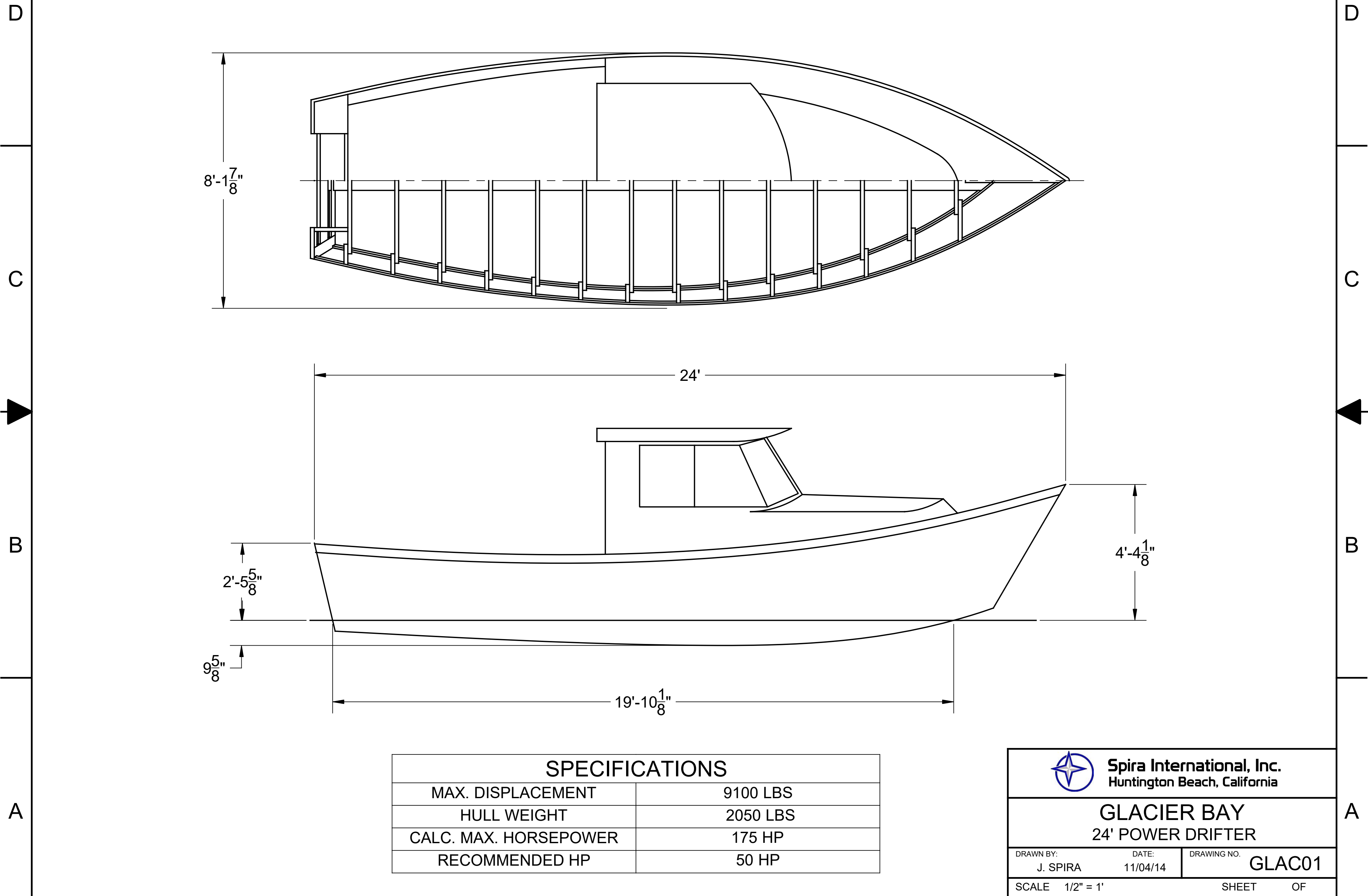
3

2


1

NOTICE
 THIS DRAWING CONTAINS A PROPRIETARY DESIGN ASSIGNED TO SPIRA INTERNATIONAL, INC. ALL RIGHTS TO DUPLICATE, TRANSFER OR USE ARE EXPRESSLY RESERVED BY SPIRA INTERNATIONAL. THE BUYER IS LICENSED TO BUILD ONE ASSEMBLY FROM THESE PLANS.

REVISIONS				
ZONE	LTR	DESCRIPTION	DATE	APPROVED



SPECIFICATIONS	
MAX. DISPLACEMENT	9100 LBS
HULL WEIGHT	2050 LBS
CALC. MAX. HORSEPOWER	175 HP
RECOMMENDED HP	50 HP

 **Spira International, Inc.**
 Huntington Beach, California

GLACIER BAY
 24' POWER DRIFTER

DRAWN BY: J. SPIRA	DATE: 11/04/14	DRAWING NO. GLAC01
-----------------------	-------------------	------------------------------

SCALE 1/2" = 1' SHEET OF

4

3

2

1

4

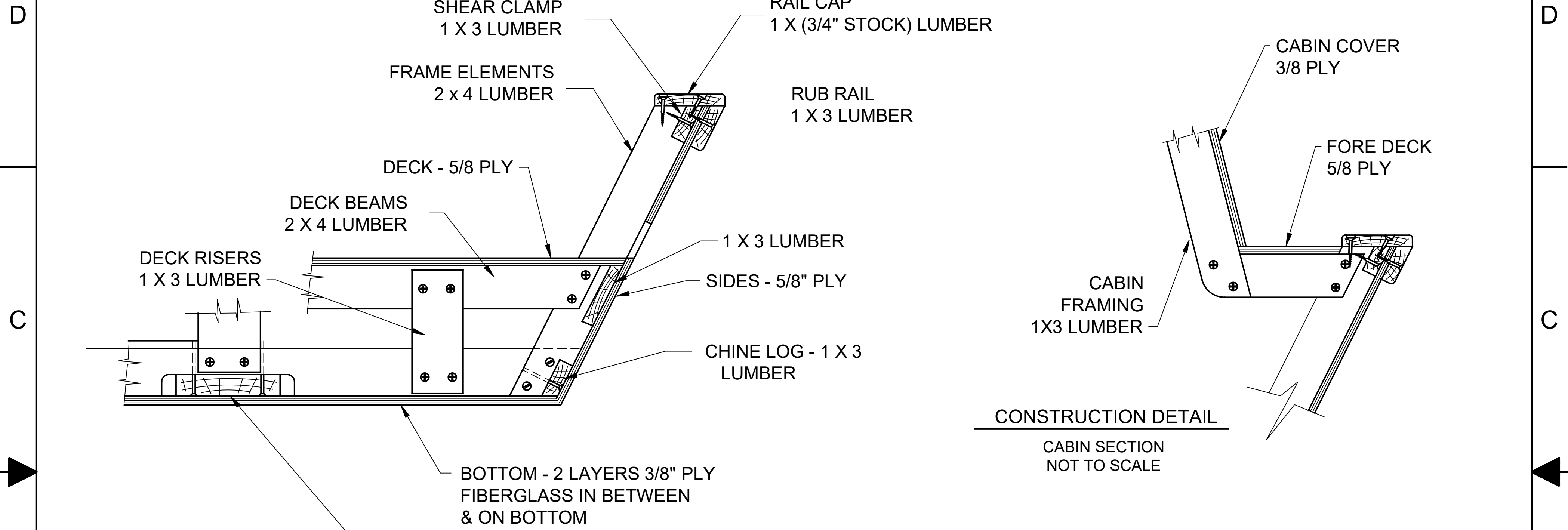
3

2

1

NOTICE
 THIS DRAWING CONTAINS A PROPRIETARY DESIGN ASSIGNED TO SPIRA INTERNATIONAL, INC. ALL RIGHTS TO DUPLICATE, TRANSFER OR USE ARE EXPRESSLY RESERVED BY SPIRA INTERNATIONAL. THE BUYER IS LICENSED TO BUILD ONE ASSEMBLY FROM THESE PLANS.

REVISIONS				
ZONE	LTR	DESCRIPTION	DATE	APPROVED



CONSTRUCTION DETAIL
 TYPICAL AT AFT SECTION
 NOT TO SCALE

FASTENING SCHEDULE

- 2x FRAME TO 2x FRAME: #10 X 2 -1/2 DECK SCREWS
- LONGITUDINAL TO FRAME: #8 X 2 DECK SCREWS
- PLANKING TO FRAME: #8 X 1-1/2 DECK SCREWS

NOTES:


1. YOU MAY SCARF TOGETHER SHORTER PIECES TO CREATE THE LONGITUDINAL ELEMENTS.
2. NOMINAL LUMBER SIZED CALLED OUT, E.G. A 2 X 4 LUMBER IS ACTUAL SIZE 1-1/2" X 3-1/2"

BILL OF MATERIALS (HULL)

- FRAMES: 300 FT 2X4S
- KEELSON & TRANSOM: 30 FT 2X8S
- S/C & C/L: 180' 1X3S
- SIDES: 8 SHTS 5/8" PLY
- BOTTOM: 11 SHTS 3/8" PLY
- GLASS: 68 YDS - 6 OR 10 OZ CLOTH
- EPOXY: 8 GAL
- FRAMES: 120 - #10 X 3" SCREWS
- 150 - #8 X 2" SCREWS
- PLANKING: 1500 - #8 X 1-1/2" SCREWS
- DECKING: 5 SHTS 5/8 PLY
- RAIL CAP: 54' 1X8

BILL OF MATERIALS (CABIN)

- FRAMES: 60 FT 1X3S
- 36 FT 1X8S
- SIDES: 4 SHTs 3/8" PLY
- GLASS: 12 YDS - 6 OZ CLOTH
- EPOXY: 2 GAL
- SCREWS: 200 - #8 X 1-1/2" SCREWS

 **Spira International, Inc.**
 Huntington Beach, California

GLACIER BAY
 24' POWER DRIFTER

DRAWN BY: J. SPIRA	DATE: 11/04/14	DRAWING NO. GLAC02
SCALE NONE		SHEET OF

4

3

2

1