

4

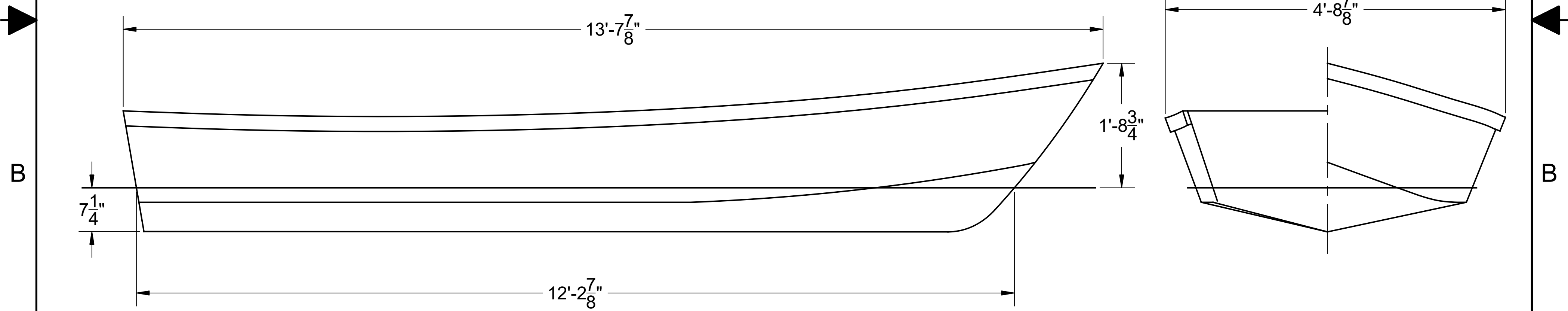
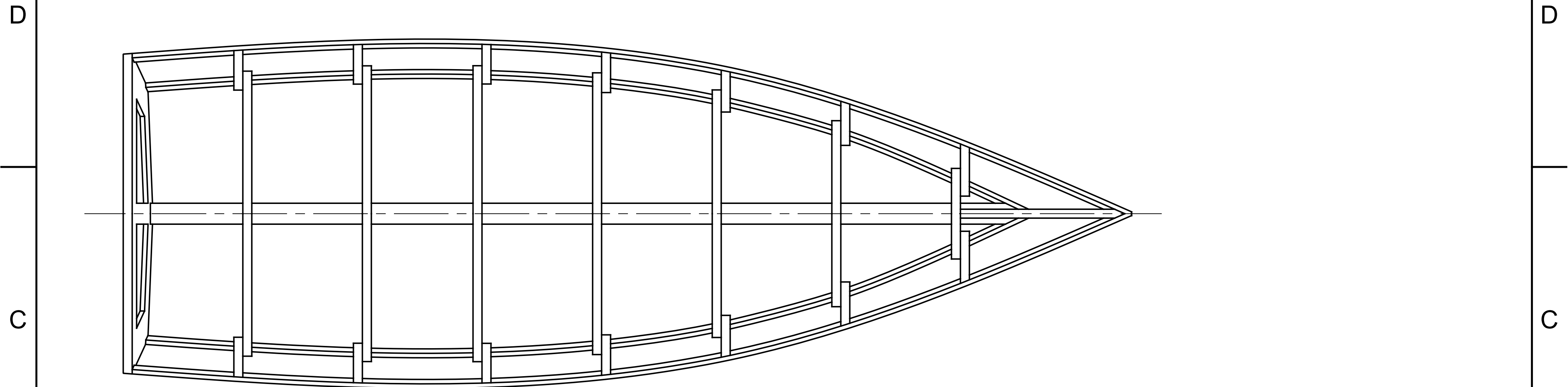
3

2

1

NOTICE
 THIS DRAWING CONTAINS A PROPRIETARY DESIGN ASSIGNED TO SPIRA INTERNATIONAL, INC. ALL RIGHTS TO DUPLICATE, TRANSFER OR USE ARE EXPRESSLY RESERVED BY SPIRA INTERNATIONAL. THE BUYER IS LICENSED TO BUILD ONE ASSEMBLY FROM THESE PLANS.

REVISIONS				
ZONE	LTR	DESCRIPTION	DATE	APPROVED



SPECIFICATIONS	
MAX. DISPLACEMENT	1250 LBS
HULL WEIGHT	265 LBS
MAX. HP - 20" REMOTE	30 HP
MAX HP - 15" TILLER	15 HP

 **Spira International, Inc.**
 Huntington Beach, California

ENSENADA
 14' MINI PANGA

DRAWN BY: J. SPIRA	DATE: 10/03/16	DRAWING NO. ENSE01
-----------------------	-------------------	-----------------------

SCALE 1" = 1' SHEET OF

4

3

2

1

4

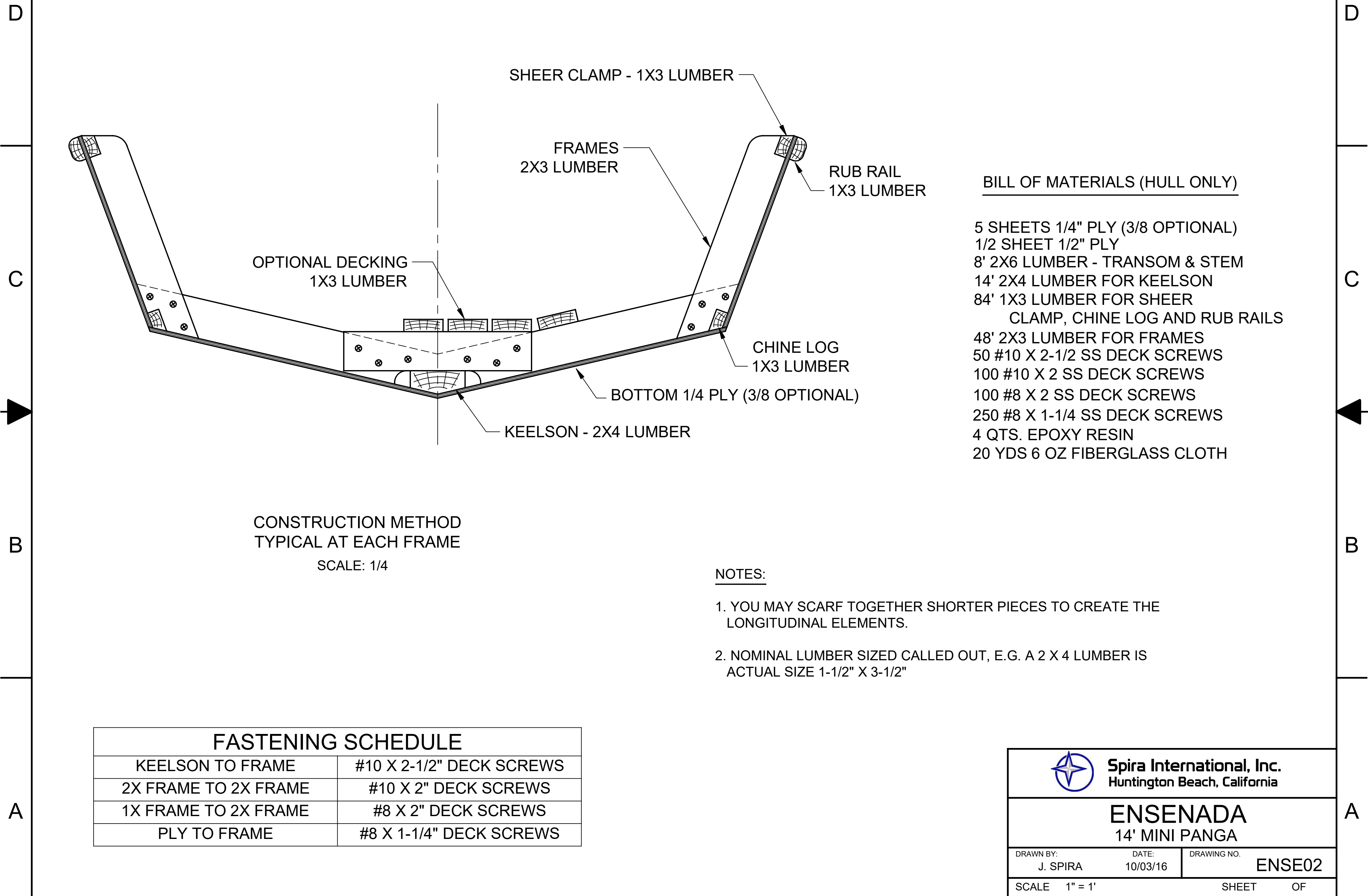
3

2

1

NOTICE
 THIS DRAWING CONTAINS A PROPRIETARY DESIGN ASSIGNED TO SPIRA INTERNATIONAL, INC. ALL RIGHTS TO DUPLICATE, TRANSFER OR USE ARE EXPRESSLY RESERVED BY SPIRA INTERNATIONAL. THE BUYER IS LICENSED TO BUILD ONE ASSEMBLY FROM THESE PLANS.

REVISIONS				
ZONE	LTR	DESCRIPTION	DATE	APPROVED
	A	ADDED ISSING 2X8 LUMBER TO BOM	11/98/14	JJS



BILL OF MATERIALS (HULL ONLY)

- 5 SHEETS 1/4" PLY (3/8 OPTIONAL)
- 1/2 SHEET 1/2" PLY
- 8' 2X6 LUMBER - TRANSOM & STEM
- 14' 2X4 LUMBER FOR KEELSON
- 84' 1X3 LUMBER FOR SHEER CLAMP, CHINE LOG AND RUB RAILS
- 48' 2X3 LUMBER FOR FRAMES
- 50 #10 X 2-1/2 SS DECK SCREWS
- 100 #10 X 2 SS DECK SCREWS
- 100 #8 X 2 SS DECK SCREWS
- 250 #8 X 1-1/4 SS DECK SCREWS
- 4 QTS. EPOXY RESIN
- 20 YDS 6 OZ FIBERGLASS CLOTH

CONSTRUCTION METHOD
 TYPICAL AT EACH FRAME
 SCALE: 1/4

NOTES:

1. YOU MAY SCARF TOGETHER SHORTER PIECES TO CREATE THE LONGITUDINAL ELEMENTS.
2. NOMINAL LUMBER SIZED CALLED OUT, E.G. A 2 X 4 LUMBER IS ACTUAL SIZE 1-1/2" X 3-1/2"

FASTENING SCHEDULE

KEELSON TO FRAME	#10 X 2-1/2" DECK SCREWS
2X FRAME TO 2X FRAME	#10 X 2" DECK SCREWS
1X FRAME TO 2X FRAME	#8 X 2" DECK SCREWS
PLY TO FRAME	#8 X 1-1/4" DECK SCREWS



Spira International, Inc.
 Huntington Beach, California

ENSENADA
 14' MINI PANGA

DRAWN BY: J. SPIRA	DATE: 10/03/16	DRAWING NO. ENSE02
SCALE 1" = 1'		SHEET OF

4

3

2

1