

4

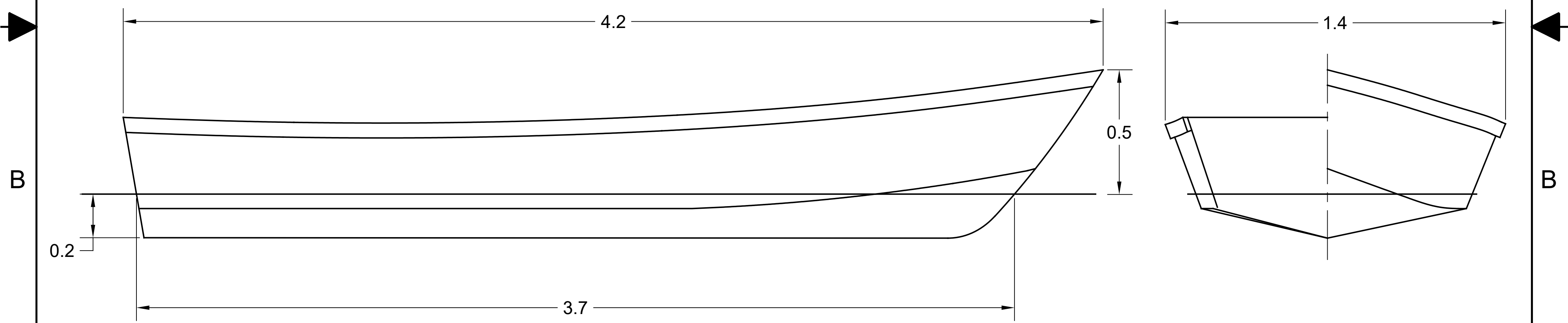
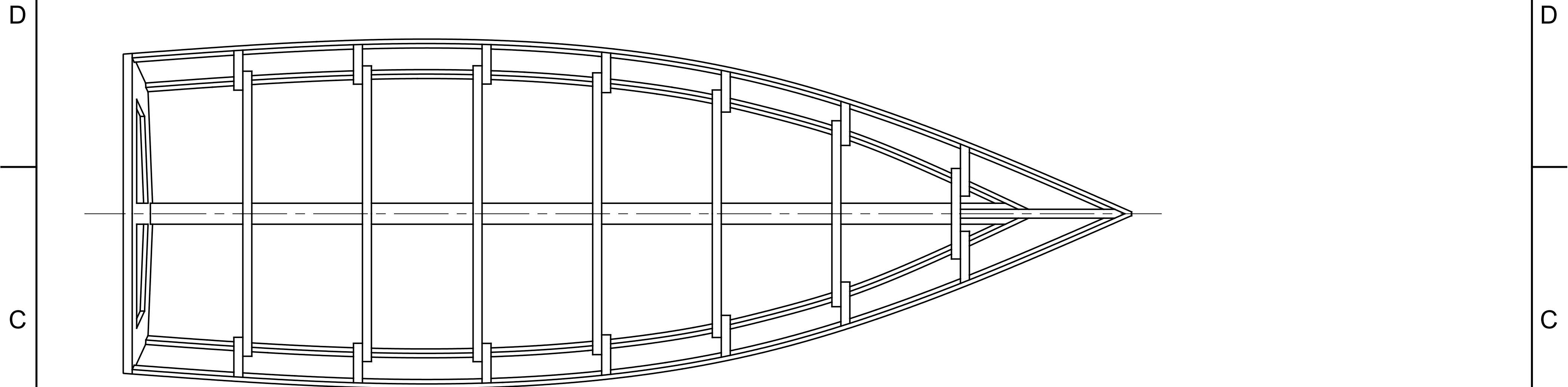
3

2


1

**NOTICE**  
 THIS DRAWING CONTAINS A PROPRIETARY DESIGN ASSIGNED TO SPIRA INTERNATIONAL, INC. ALL RIGHTS TO DUPLICATE, TRANSFER OR USE ARE EXPRESSLY RESERVED BY SPIRA INTERNATIONAL. THE BUYER IS LICENSED TO BUILD ONE ASSEMBLY FROM THESE PLANS.

REVISIONS				
ZONE	LTR	DESCRIPTION	DATE	APPROVED



SPECIFICATIONS	
MAX. DISPLACEMENT	570 KG
HULL WEIGHT	120 KG
MAX. HP - STANDARD SHAFT	30 HP
MAX HP - SHORT SHAFT	15 HP


**Spira International, Inc.**  
 Huntington Beach, California

**ENSENADA**  
 4.3M MINI PANGA

DRAWN BY: J. SPIRA	DATE: 05/17/19	DRAWING NO. <b>ENSEM01</b>
SCALE 1 / 12 & AND NOTED		SHEET OF

4

3

2

1

A

A

4

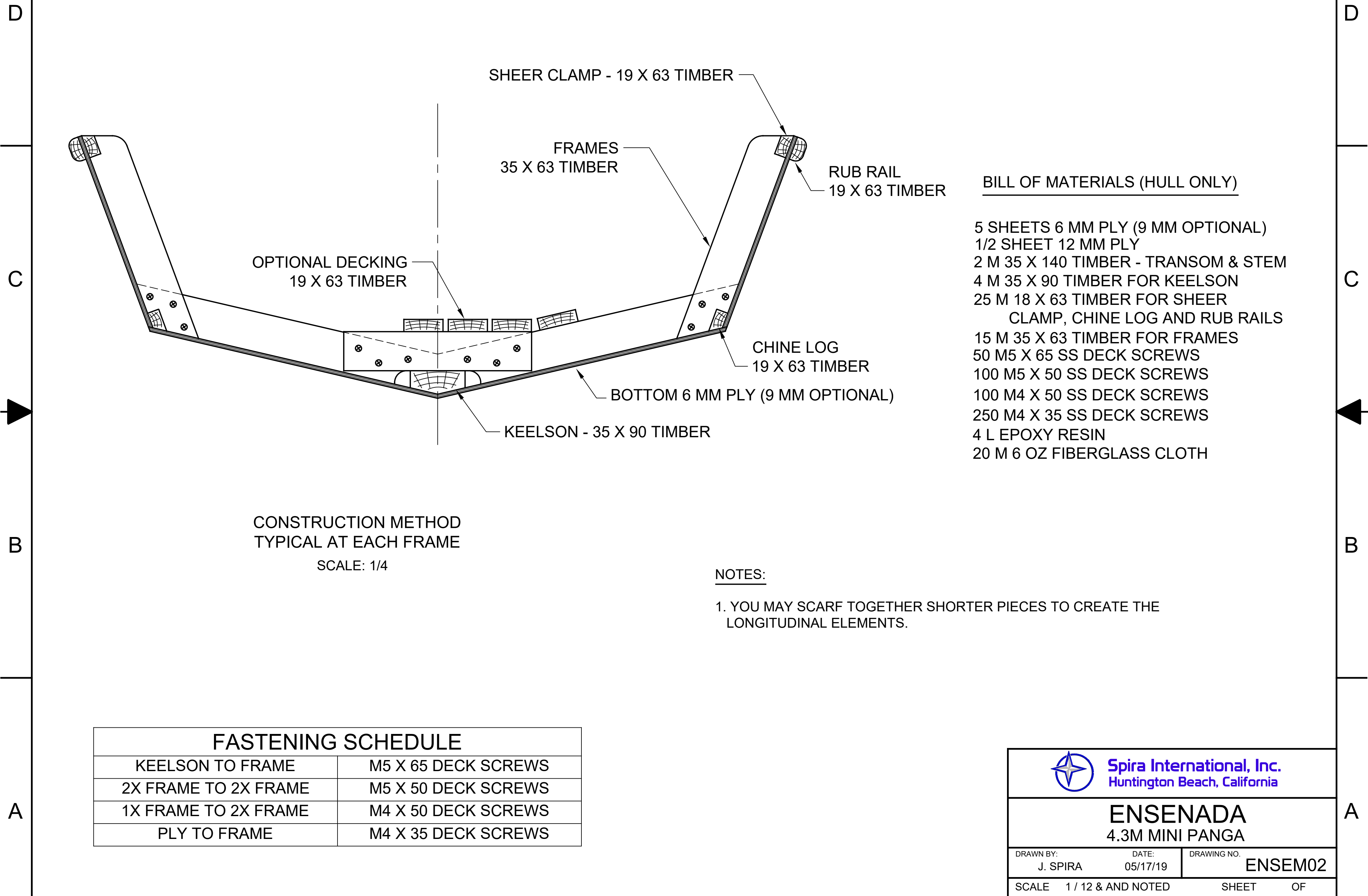
3

2

1

**NOTICE**  
 THIS DRAWING CONTAINS A PROPRIETARY DESIGN ASSIGNED TO SPIRA INTERNATIONAL, INC. ALL RIGHTS TO DUPLICATE, TRANSFER OR USE ARE EXPRESSLY RESERVED BY SPIRA INTERNATIONAL. THE BUYER IS LICENSED TO BUILD ONE ASSEMBLY FROM THESE PLANS.

REVISIONS				
ZONE	LTR	DESCRIPTION	DATE	APPROVED



**BILL OF MATERIALS (HULL ONLY)**


- 5 SHEETS 6 MM PLY (9 MM OPTIONAL)
- 1/2 SHEET 12 MM PLY
- 2 M 35 X 140 TIMBER - TRANSOM & STEM
- 4 M 35 X 90 TIMBER FOR KEELSON
- 25 M 18 X 63 TIMBER FOR SHEER CLAMP, CHINE LOG AND RUB RAILS
- 15 M 35 X 63 TIMBER FOR FRAMES
- 50 M5 X 65 SS DECK SCREWS
- 100 M5 X 50 SS DECK SCREWS
- 100 M4 X 50 SS DECK SCREWS
- 250 M4 X 35 SS DECK SCREWS
- 4 L EPOXY RESIN
- 20 M 6 OZ FIBERGLASS CLOTH

CONSTRUCTION METHOD  
 TYPICAL AT EACH FRAME  
 SCALE: 1/4

**NOTES:**

1. YOU MAY SCARF TOGETHER SHORTER PIECES TO CREATE THE LONGITUDINAL ELEMENTS.

FASTENING SCHEDULE	
KEELSON TO FRAME	M5 X 65 DECK SCREWS
2X FRAME TO 2X FRAME	M5 X 50 DECK SCREWS
1X FRAME TO 2X FRAME	M4 X 50 DECK SCREWS
PLY TO FRAME	M4 X 35 DECK SCREWS

 <b>Spira International, Inc.</b> Huntington Beach, California		
<b>ENSENADA</b> 4.3M MINI PANGA		
DRAWN BY: J. SPIRA	DATE: 05/17/19	DRAWING NO. <b>ENSEM02</b>
SCALE 1 / 12 & AND NOTED		SHEET OF

4

3

2

1