

4

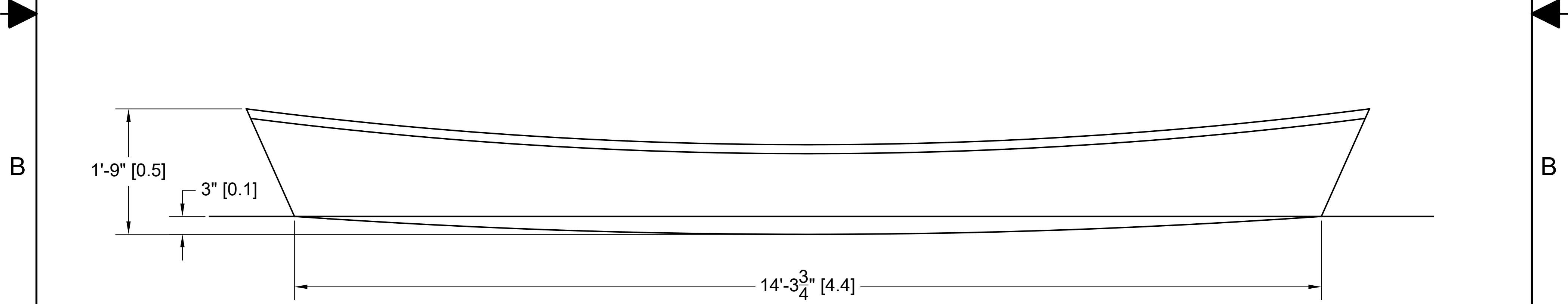
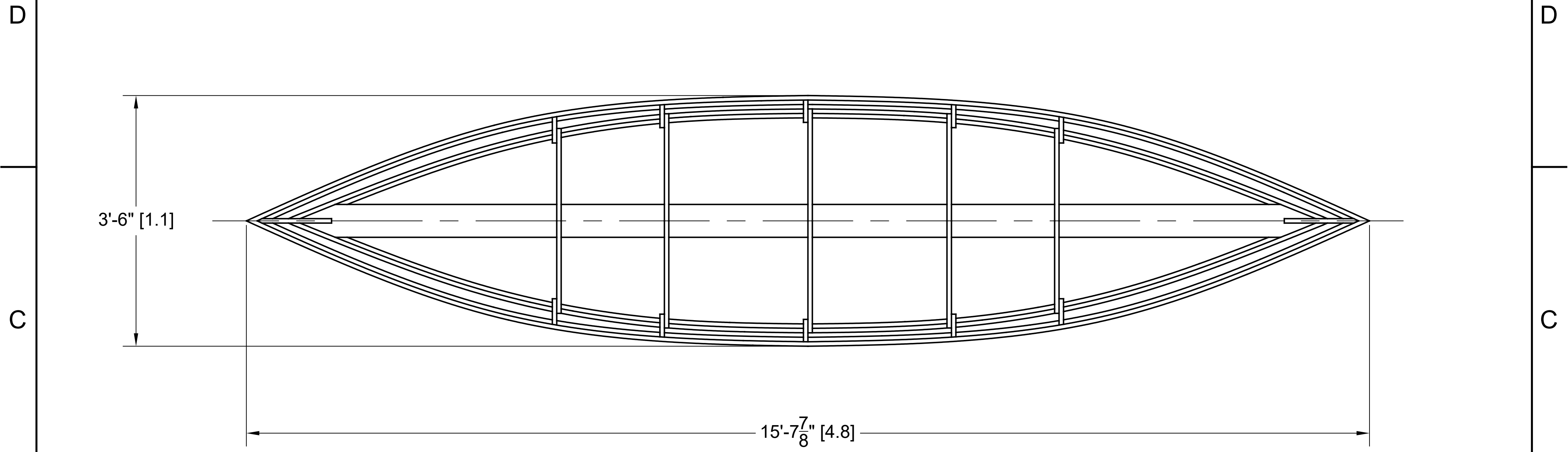
3

2


1

**NOTICE**  
 THIS DRAWING CONTAINS A PROPRIETARY DESIGN ASSIGNED TO SPIRA INTERNATIONAL, INC. ALL RIGHTS TO DUPLICATE, TRANSFER OR USE ARE EXPRESSLY RESERVED BY SPIRA INTERNATIONAL. THE BUYER IS LICENSED TO BUILD ONE ASSEMBLY FROM THESE PLANS.

REVISIONS				
ZONE	LTR	DESCRIPTION	DATE	APPROVED
	B	ADDED SPECIFICATION TABLE	09/21/18	JJS



SPECIFICATIONS	
MAX. DISPLACEMENT	1150 LBS [522 KG]
HULL WEIGHT	205 LBS [93 KG]
MAX. HP	55 LB. [25 KG] ELECTRIC
RECOMMENDED HP	OARS

 **Spira International, Inc.**  
 Huntington Beach, California

**ELOI**  
 16' [4.8 M] PIROGUE

DRAWN BY: J. SPIRA	DATE: 12/18/11	DRAWING NO. ELOI01
-----------------------	-------------------	-----------------------

SCALE 1" = 1' [1/12] SHEET OF

A

A

4

3

2

1

4

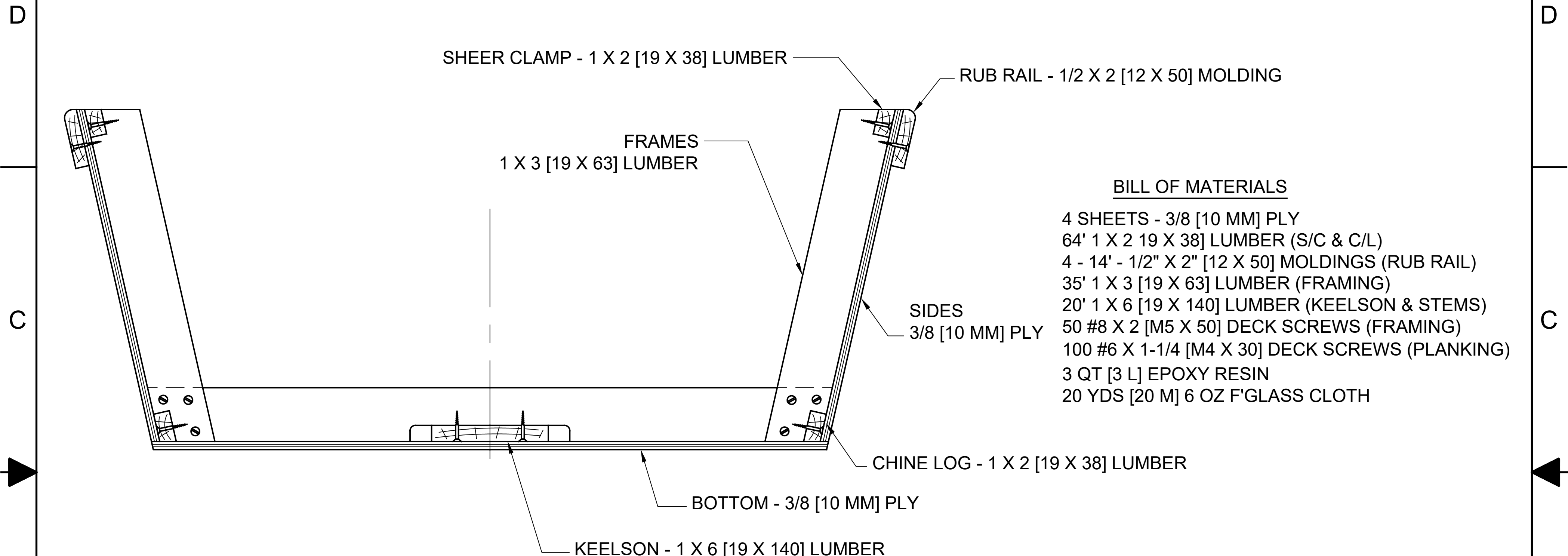
3

2

1

**NOTICE**  
 THIS DRAWING CONTAINS A PROPRIETARY DESIGN ASSIGNED TO SPIRA INTERNATIONAL, INC. ALL RIGHTS TO DUPLICATE, TRANSFER OR USE ARE EXPRESSLY RESERVED BY SPIRA INTERNATIONAL. THE BUYER IS LICENSED TO BUILD ONE ASSEMBLY FROM THESE PLANS.

REVISIONS				
ZONE	LTR	DESCRIPTION	DATE	APPROVED
	A	ADDED METRIC DIMENSIONS	12/23/13	JJS



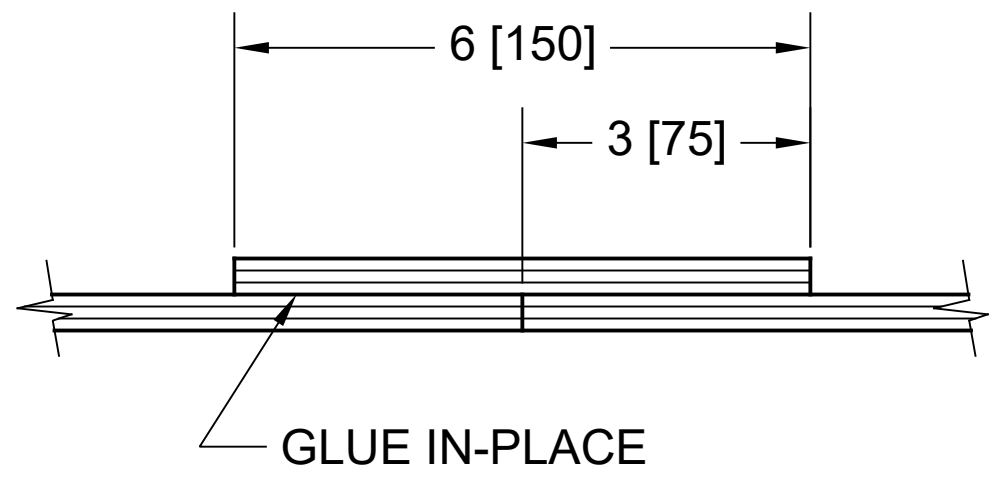
**BILL OF MATERIALS**

- 4 SHEETS - 3/8 [10 MM] PLY
- 64' 1 X 2 19 X 38] LUMBER (S/C & C/L)
- 4 - 14' - 1/2" X 2" [12 X 50] MOLDINGS (RUB RAIL)
- 35' 1 X 3 [19 X 63] LUMBER (FRAMING)
- 20' 1 X 6 [19 X 140] LUMBER (KEELSON & STEMS)
- 50 #8 X 2 [M5 X 50] DECK SCREWS (FRAMING)
- 100 #6 X 1-1/4 [M4 X 30] DECK SCREWS (PLANKING)
- 3 QT [3 L] EPOXY RESIN
- 20 YDS [20 M] 6 OZ F'GLASS CLOTH

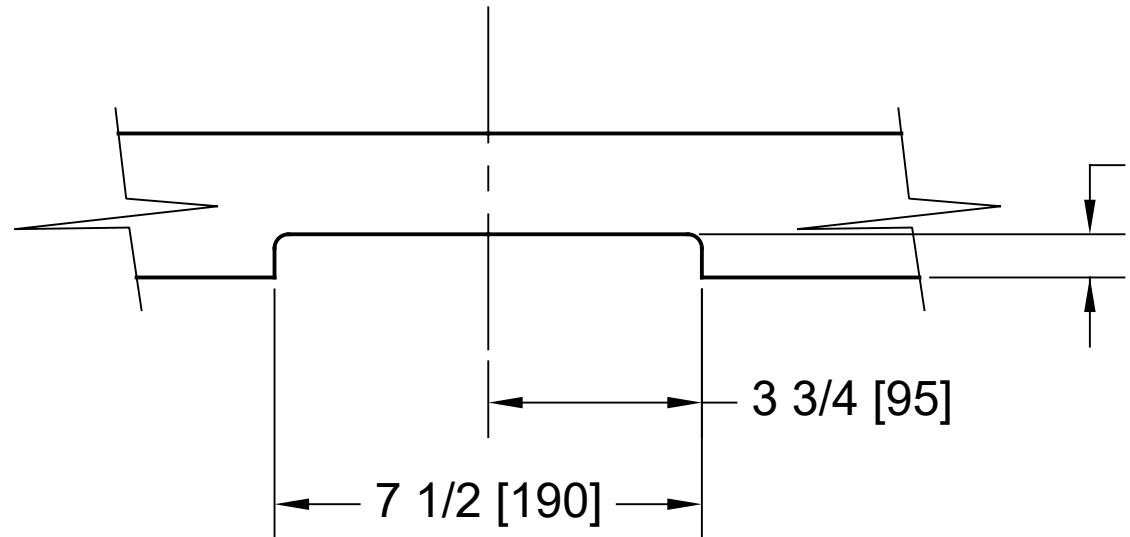
**NOTES:**

1. YOU MAY SCARF TOGETHER SHORTER PIECES TO CREATE THE LONGITUDINAL ELEMENTS.
2. NOMINAL LUMBER SIZED CALLED OUT, E.G. A 2 X 4 LUMBER IS ACTUAL SIZE 1-1/2" X 3-1/2" (MOLDINGS ACTUAL SIZES)


**CROSS SECTION**  
TYPICAL - BOTH FRAMES



**BUTT BLOCKS REQUIRED**  
AT ALL PLYWOOD SEAMS  
(BLOCK ON INSIDE OF HULL)



**KEELSON CUTOUT**  
TYPICAL - ALL FRAMES

 **Spira International, Inc.**  
Huntington Beach, California

**ELOI**  
16' [4.8 M] PIROGUE

DRAWN BY: J. SPIRA	DATE: 12/18/11	DRAWING NO. ELOI02
SCALE 1" = 1' [1/12]		SHEET OF

4

3

2

1