

4

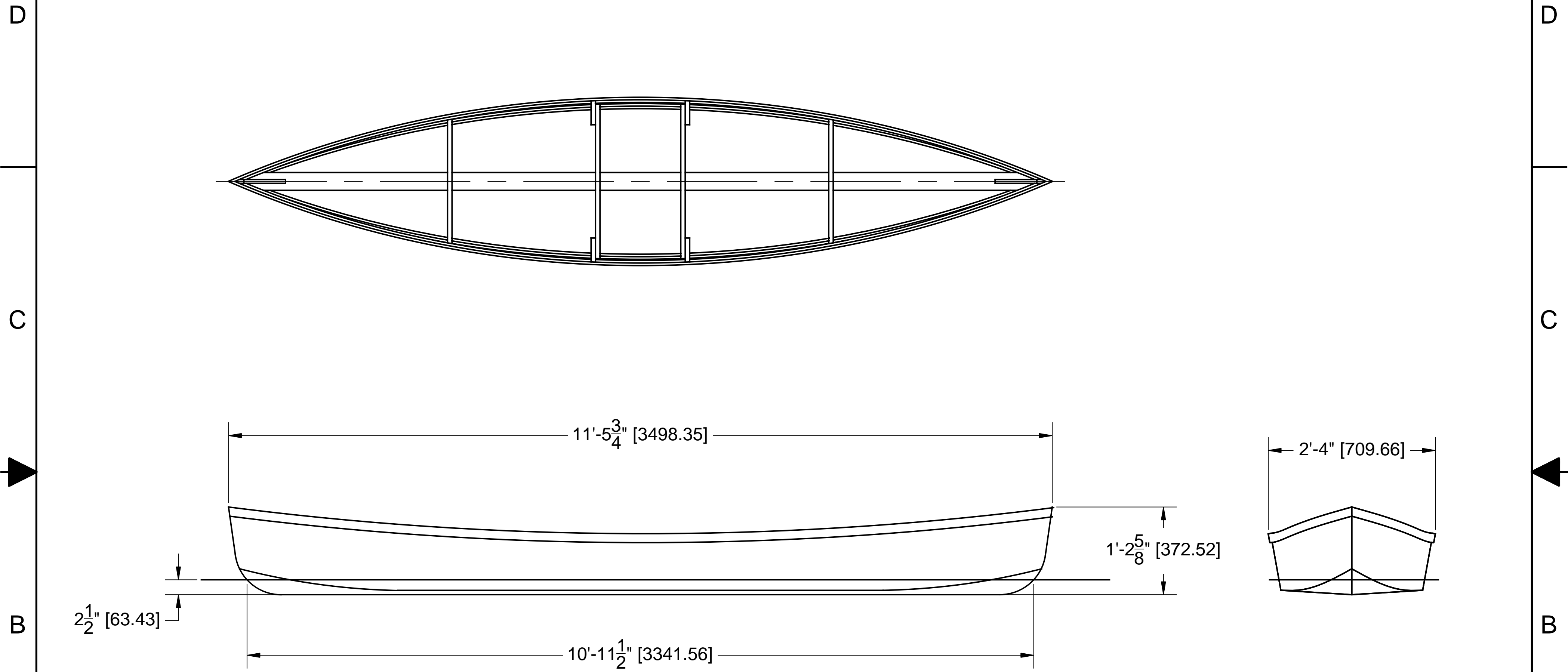
3

2


1

NOTICE
 THIS DRAWING CONTAINS A PROPRIETARY DESIGN ASSIGNED TO SPIRA INTERNATIONAL, INC. ALL RIGHTS TO DUPLICATE, TRANSFER OR USE ARE EXPRESSLY RESERVED BY SPIRA INTERNATIONAL. THE BUYER IS LICENSED TO BUILD ONE ASSEMBLY FROM THESE PLANS.

REVISIONS				
ZONE	LTR	DESCRIPTION	DATE	APPROVED



SPECIFICATIONS		
DESCRIPTION	IMPERIAL	METRIC
DISPLACEMENT	380 LBS	173 KG
HULL WEIGHT	48 LBS	22 KG
HP MAXIMUM	30 LB ELECTRIC	14 KG ELECTRIC
HP RECOMMENDED	PADDLE ONLY	PADDLE ONLY

 **Spira International, Inc.**
 Huntington Beach, California

CURRENT RIVER
 11' [3.5 M] YOUTH CANOE

DRAWN BY: J. SPIRA	DATE: 03/08/13	DRAWING NO. CURR01
-----------------------	-------------------	-----------------------

SCALE 1" = 1' [1/12] SHEET OF

4

3

2

1

A

A

B

B

C

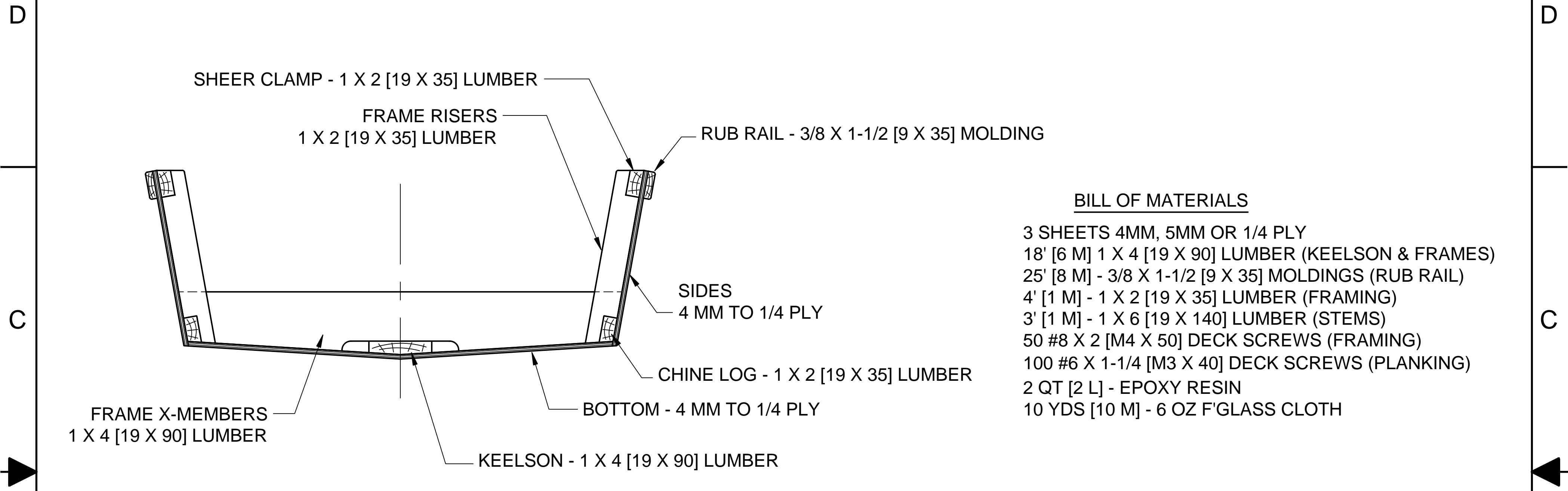
C

D

D

NOTICE
 THIS DRAWING CONTAINS A PROPRIETARY DESIGN ASSIGNED TO SPIRA INTERNATIONAL, INC. ALL RIGHTS TO DUPLICATE, TRANSFER OR USE ARE EXPRESSLY RESERVED BY SPIRA INTERNATIONAL. THE BUYER IS LICENSED TO BUILD ONE ASSEMBLY FROM THESE PLANS.

REVISIONS				
ZONE	LTR	DESCRIPTION	DATE	APPROVED

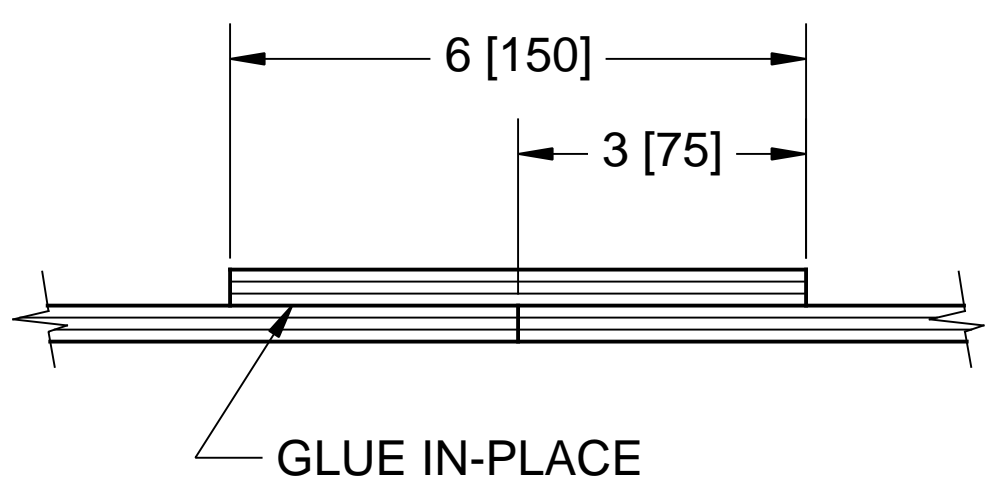


BILL OF MATERIALS

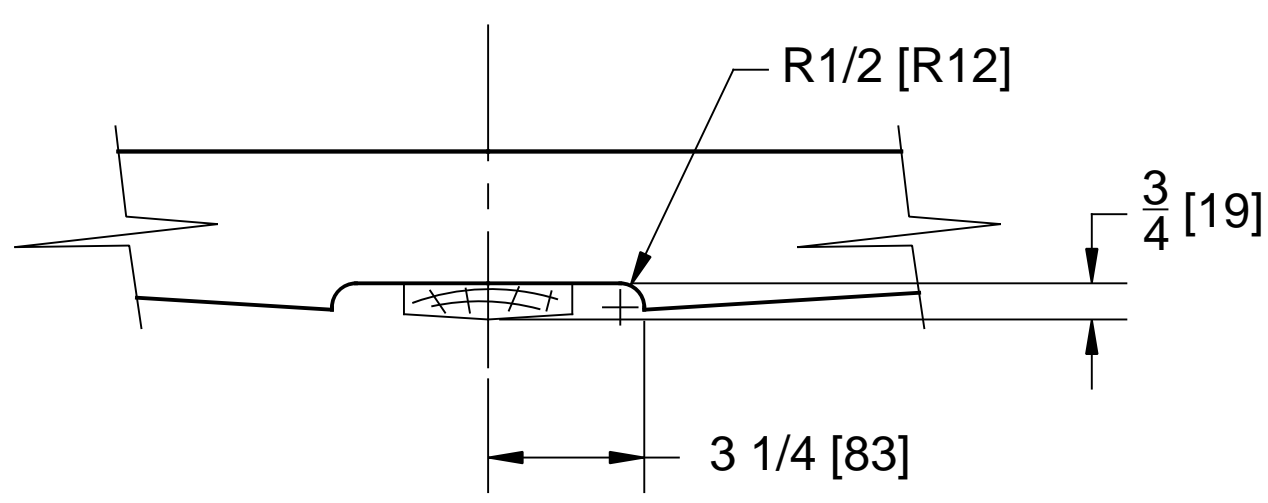
- 3 SHEETS 4MM, 5MM OR 1/4 PLY
- 18' [6 M] 1 X 4 [19 X 90] LUMBER (KEELSON & FRAMES)
- 25' [8 M] - 3/8 X 1-1/2 [9 X 35] MOLDINGS (RUB RAIL)
- 4' [1 M] - 1 X 2 [19 X 35] LUMBER (FRAMING)
- 3' [1 M] - 1 X 6 [19 X 140] LUMBER (STEMS)
- 50 #8 X 2 [M4 X 50] DECK SCREWS (FRAMING)
- 100 #6 X 1-1/4 [M3 X 40] DECK SCREWS (PLANKING)
- 2 QT [2 L] - EPOXY RESIN
- 10 YDS [10 M] - 6 OZ F'GLASS CLOTH

NOTES:


1. YOU MAY SCARF TOGETHER SHORTER PIECES TO CREATE THE LONGITUDINAL ELEMENTS.
2. NOMINAL LUMBER SIZED CALLED OUT, E.G. A 2 X 4 LUMBER IS ACTUAL SIZE 1-1/2" X 3-1/2" (MOLDINGS ACTUAL SIZES)



BUTT BLOCKS REQUIRED AT ALL PLYWOOD SEAMS (BLOCK ON INSIDE OF HULL)
 NO SCALE



KEELSON CUTOUT TYPICAL - ALL FRAMES

 **Spira International, Inc.**
 Huntington Beach, California

CURRENT RIVER
 11' [3.5 M] YOUTH CANOE

DRAWN BY: J. SPIRA	DATE: 03/08/13	DRAWING NO. CURR02
SCALE 1" = 1'		SHEET OF