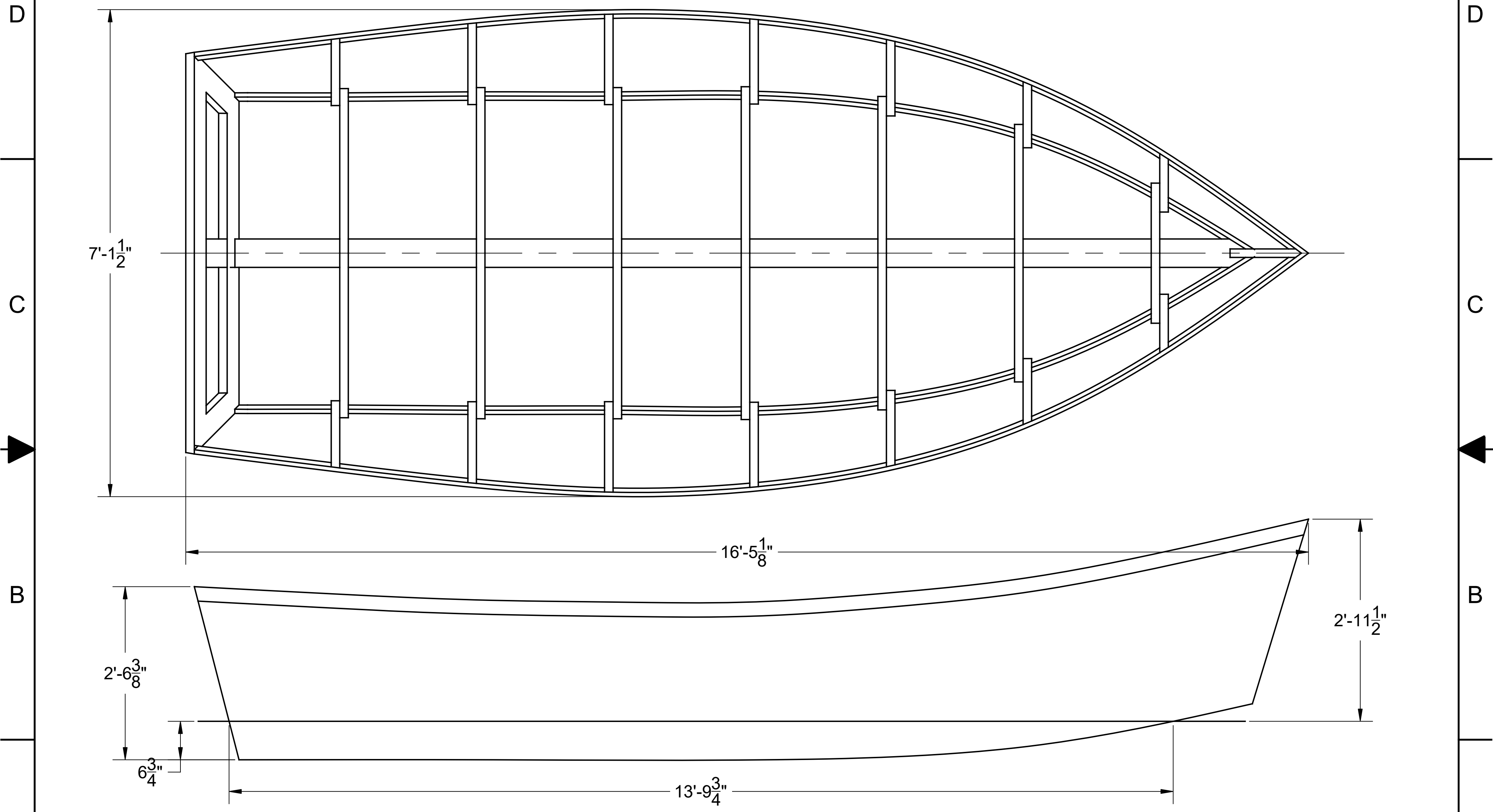



NOTICE
 THIS DRAWING CONTAINS A PROPRIETARY DESIGN ASSIGNED TO SPIRA INTERNATIONAL, INC. ALL RIGHTS TO DUPLICATE, TRANSFER OR USE ARE EXPRESSLY RESERVED BY SPIRA INTERNATIONAL. THE BUYER IS LICENSED TO BUILD ONE ASSEMBLY FROM THESE PLANS.

REVISIONS				
ZONE	LTR	DESCRIPTION	DATE	APPROVED
	A	ADDED DRAFT	11/14/15	JJS



SPECIFICATIONS	
MAX. DISPLACEMENT	2750 LBS
HULL WEIGHT	1140 LBS
HP _{MAX} (20" O/B, REMOTE)	90 HP
HP RECOMMENDED	40 - 50 HP

 **Spira International, Inc.**
 Huntington Beach, California

COURTENAY
 16' PACIFIC POWER DORY

DRAWN BY: J. SPIRA	DATE: 3/21/14	DRAWING NO. COUR01
-----------------------	------------------	-----------------------

SCALE 1" = 1' SHEET OF

4

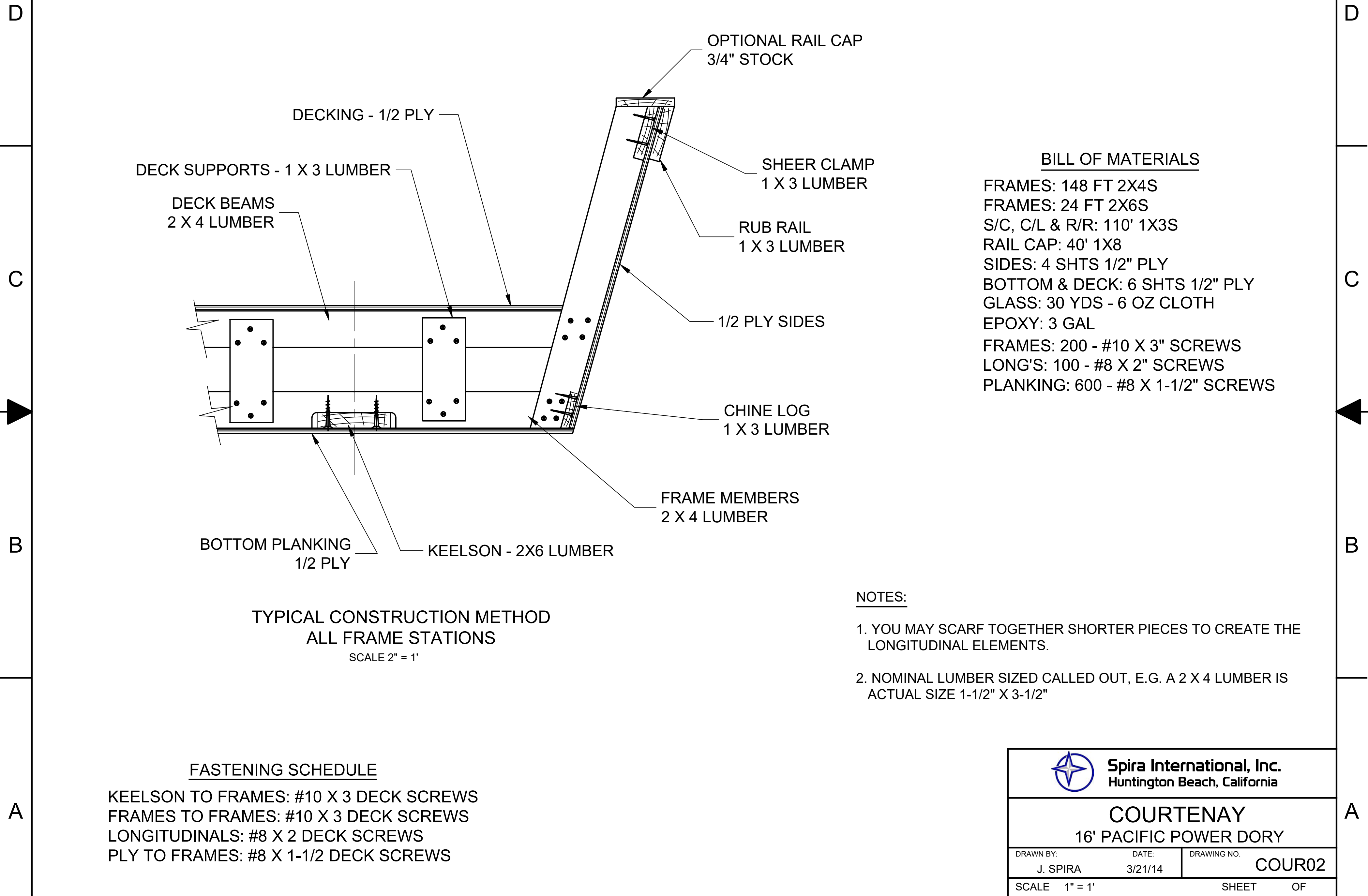
3

2

1

NOTICE
 THIS DRAWING CONTAINS A PROPRIETARY DESIGN ASSIGNED TO SPIRA INTERNATIONAL, INC. ALL RIGHTS TO DUPLICATE, TRANSFER OR USE ARE EXPRESSLY RESERVED BY SPIRA INTERNATIONAL. THE BUYER IS LICENSED TO BUILD ONE ASSEMBLY FROM THESE PLANS.

REVISIONS				
ZONE	LTR	DESCRIPTION	DATE	APPROVED



BILL OF MATERIALS

- FRAMES: 148 FT 2X4S
- FRAMES: 24 FT 2X6S
- S/C, C/L & R/R: 110' 1X3S
- RAIL CAP: 40' 1X8
- SIDES: 4 SHTS 1/2" PLY
- BOTTOM & DECK: 6 SHTS 1/2" PLY
- GLASS: 30 YDS - 6 OZ CLOTH
- EPOXY: 3 GAL
- FRAMES: 200 - #10 X 3" SCREWS
- LONG'S: 100 - #8 X 2" SCREWS
- PLANKING: 600 - #8 X 1-1/2" SCREWS


TYPICAL CONSTRUCTION METHOD
ALL FRAME STATIONS
 SCALE 2" = 1'

NOTES:

1. YOU MAY SCARF TOGETHER SHORTER PIECES TO CREATE THE LONGITUDINAL ELEMENTS.
2. NOMINAL LUMBER SIZED CALLED OUT, E.G. A 2 X 4 LUMBER IS ACTUAL SIZE 1-1/2" X 3-1/2"

FASTENING SCHEDULE

- KEELSON TO FRAMES: #10 X 3 DECK SCREWS
- FRAMES TO FRAMES: #10 X 3 DECK SCREWS
- LONGITUDINALS: #8 X 2 DECK SCREWS
- PLY TO FRAMES: #8 X 1-1/2 DECK SCREWS

 Spira International, Inc. Huntington Beach, California		
COURTENAY 16' PACIFIC POWER DORY		
DRAWN BY:	DATE:	DRAWING NO.:
J. SPIRA	3/21/14	COUR02
SCALE 1" = 1'		SHEET OF

4

3

2

1