

4

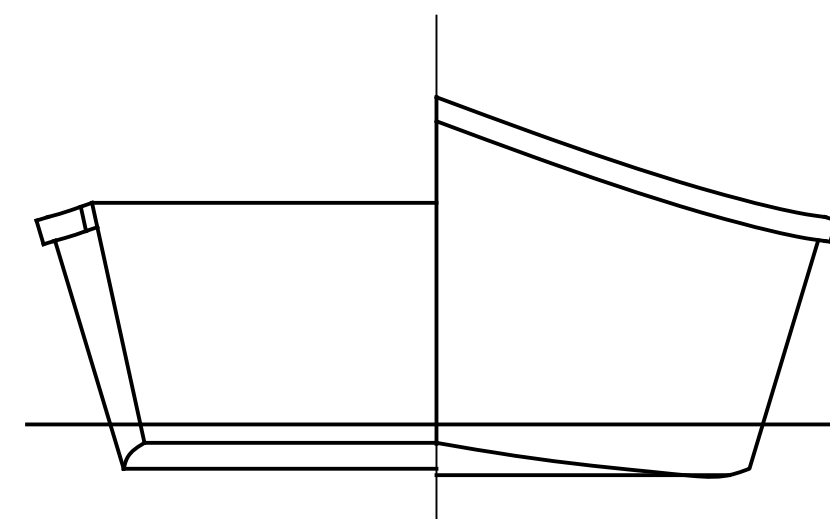
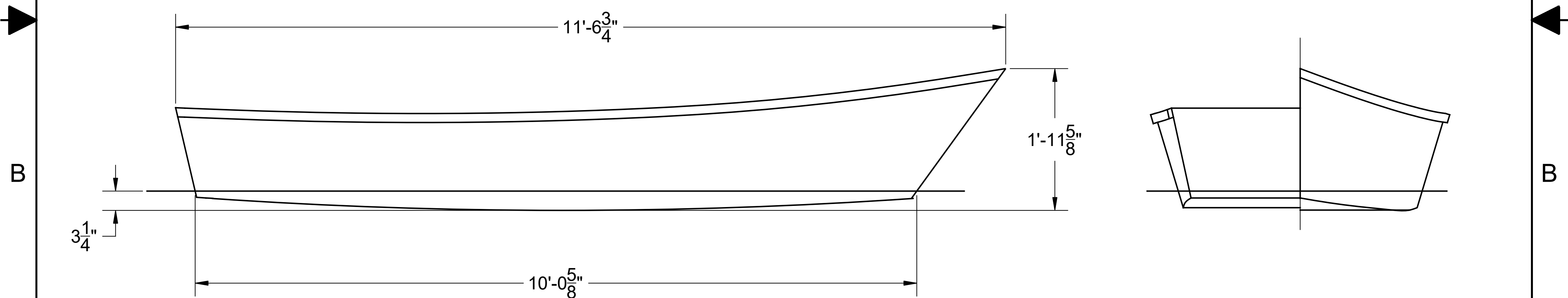
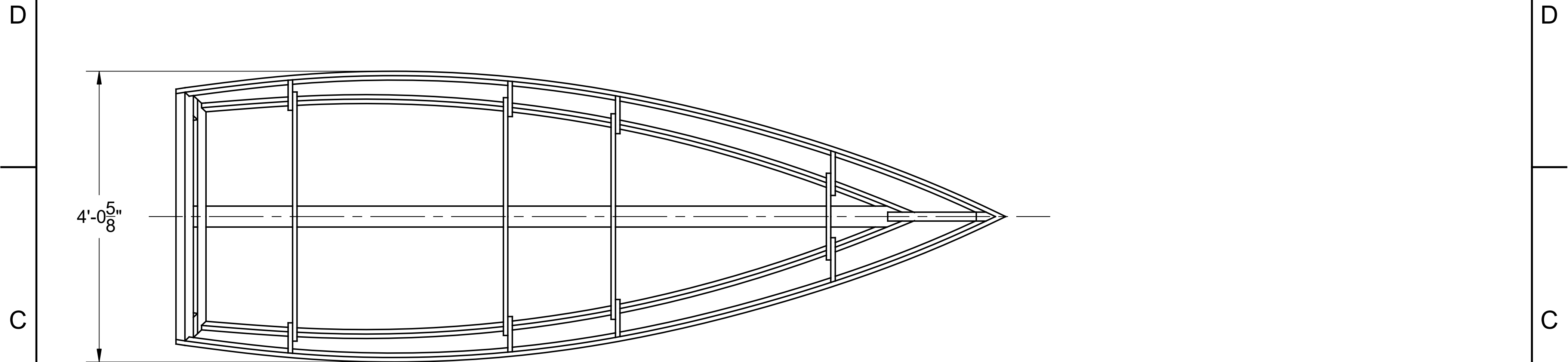
3

2

1

**NOTICE**  
 THIS DRAWING CONTAINS A PROPRIETARY DESIGN ASSIGNED TO SPIRA INTERNATIONAL, INC. ALL RIGHTS TO DUPLICATE, TRANSFER OR USE ARE EXPRESSLY RESERVED BY SPIRA INTERNATIONAL. THE BUYER IS LICENSED TO BUILD ONE ASSEMBLY FROM THESE PLANS.

REVISIONS				
ZONE	LTR	DESCRIPTION	DATE	APPROVED
	A	ADDED SPECIFICATION CHART	09/28/15	JJS



SPECIFICATIONS	
MAX. DISPLACEMENT	850 LBS
HULL WEIGHT	105 LBS
HP - MAXIMUM	7 1/2 HP
HP - RECOMMENDED	4 HP


**Spira International, Inc.**  
 Huntington Beach, California

**CHAMPLAIN**  
 11' ROW / POWER SKIFF

DRAWN BY: J. SPIRA	DATE: 07/11/12	DRAWING NO. CHAM01
SCALE 1" = 1'		SHEET OF

4

3

2

1

4

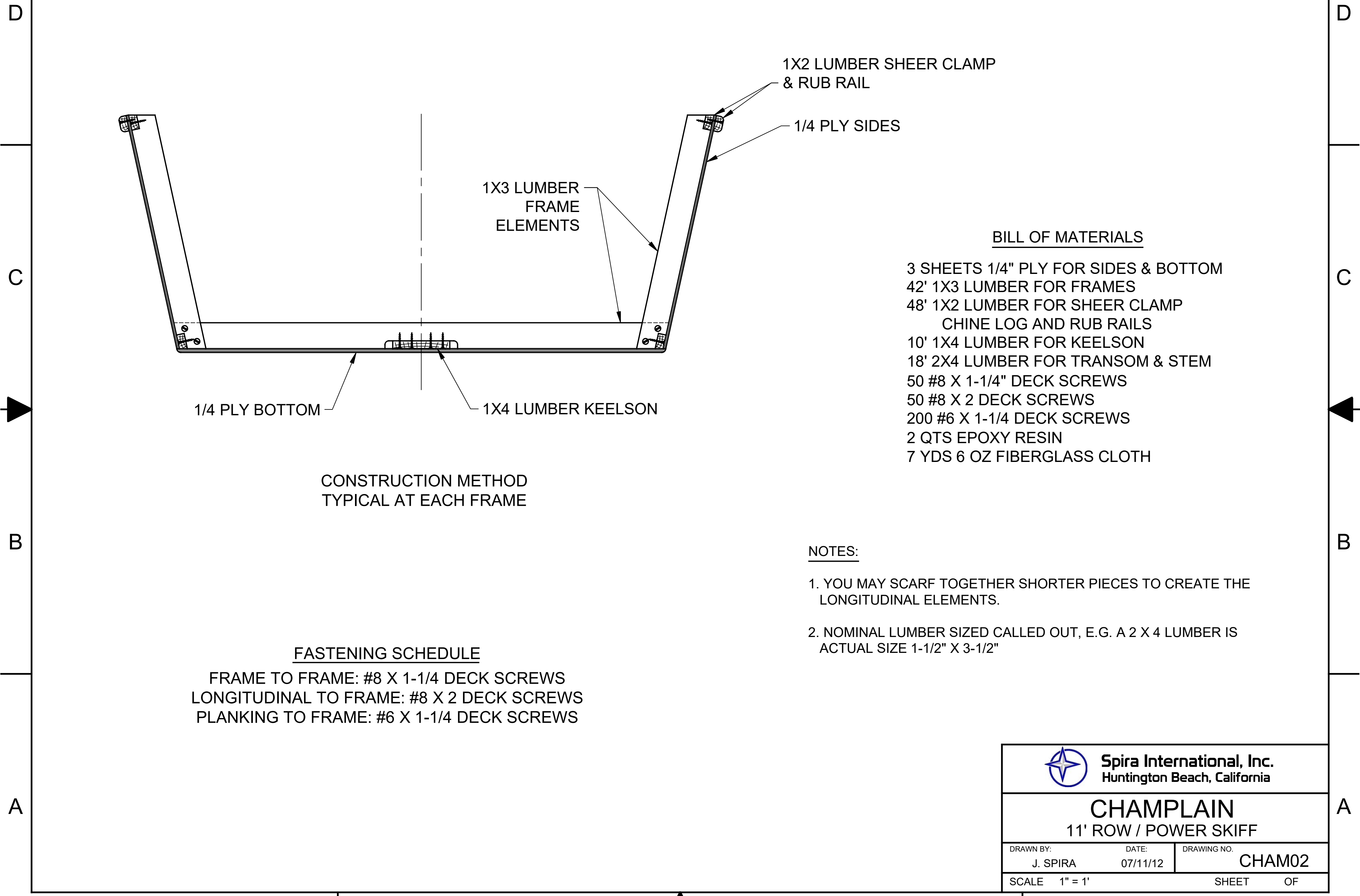
3

2

1

**NOTICE**  
 THIS DRAWING CONTAINS A PROPRIETARY DESIGN ASSIGNED TO SPIRA INTERNATIONAL, INC. ALL RIGHTS TO DUPLICATE, TRANSFER OR USE ARE EXPRESSLY RESERVED BY SPIRA INTERNATIONAL. THE BUYER IS LICENSED TO BUILD ONE ASSEMBLY FROM THESE PLANS.

REVISIONS				
ZONE	LTR	DESCRIPTION	DATE	APPROVED
	A	CORRECTED FRAME MATERIAL IN VIEW	10/25/12	JJS



**BILL OF MATERIALS**

- 3 SHEETS 1/4" PLY FOR SIDES & BOTTOM
- 42' 1X3 LUMBER FOR FRAMES
- 48' 1X2 LUMBER FOR SHEER CLAMP CHINE LOG AND RUB RAILS
- 10' 1X4 LUMBER FOR KEELSON
- 18' 2X4 LUMBER FOR TRANSOM & STEM
- 50 #8 X 1-1/4" DECK SCREWS
- 50 #8 X 2 DECK SCREWS
- 200 #6 X 1-1/4 DECK SCREWS
- 2 QTS EPOXY RESIN
- 7 YDS 6 OZ FIBERGLASS CLOTH

**NOTES:**

1. YOU MAY SCARF TOGETHER SHORTER PIECES TO CREATE THE LONGITUDINAL ELEMENTS.
2. NOMINAL LUMBER SIZED CALLED OUT, E.G. A 2 X 4 LUMBER IS ACTUAL SIZE 1-1/2" X 3-1/2"

**FASTENING SCHEDULE**

FRAME TO FRAME: #8 X 1-1/4 DECK SCREWS  
 LONGITUDINAL TO FRAME: #8 X 2 DECK SCREWS  
 PLANKING TO FRAME: #6 X 1-1/4 DECK SCREWS



**Spira International, Inc.**  
 Huntington Beach, California

**CHAMPLAIN**  
 11' ROW / POWER SKIFF

DRAWN BY: J. SPIRA	DATE: 07/11/12	DRAWING NO. CHAM02
SCALE 1" = 1'		SHEET OF

4

3

2

1