

4

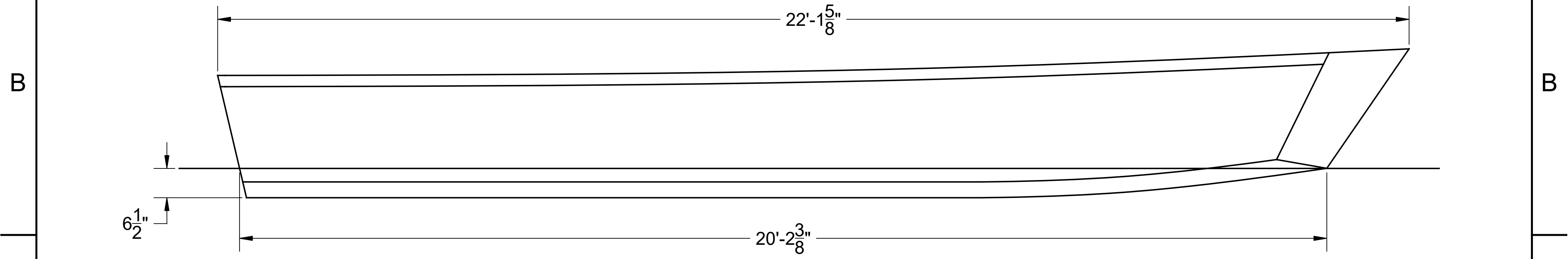
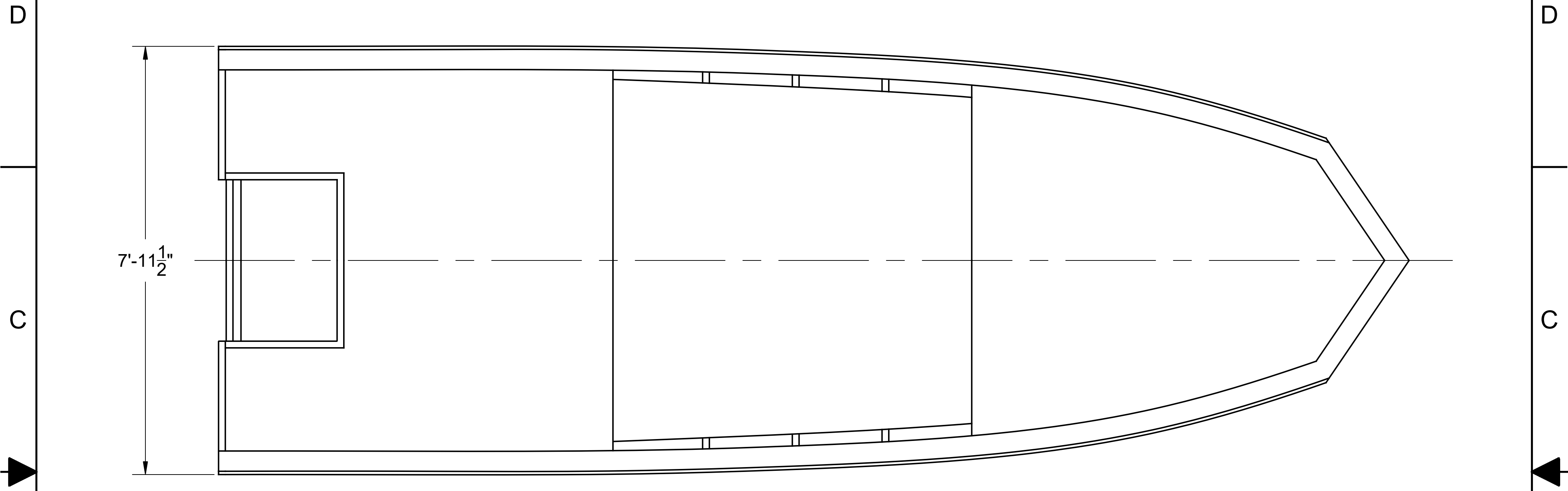
3

2


1

NOTICE
 THIS DRAWING CONTAINS A PROPRIETARY DESIGN ASSIGNED TO SPIRA INTERNATIONAL, INC. ALL RIGHTS TO DUPLICATE, TRANSFER OR USE ARE EXPRESSLY RESERVED BY SPIRA INTERNATIONAL. THE BUYER IS LICENSED TO BUILD ONE ASSEMBLY FROM THESE PLANS.

REVISIONS				
ZONE	LTR	DESCRIPTION	DATE	APPROVED



SPECIFICATIONS	
MAX. DISPLACEMENT	4150 LBS
HULL WEIGHT	1440 LBS
MAX. HP - 20" REMOTE	200 HP
RECOMMENDED HP	90 HP

 **Spira International, Inc.**
 Huntington Beach, California

BIRD ROCK
 22' BASS & DIVE BOAT

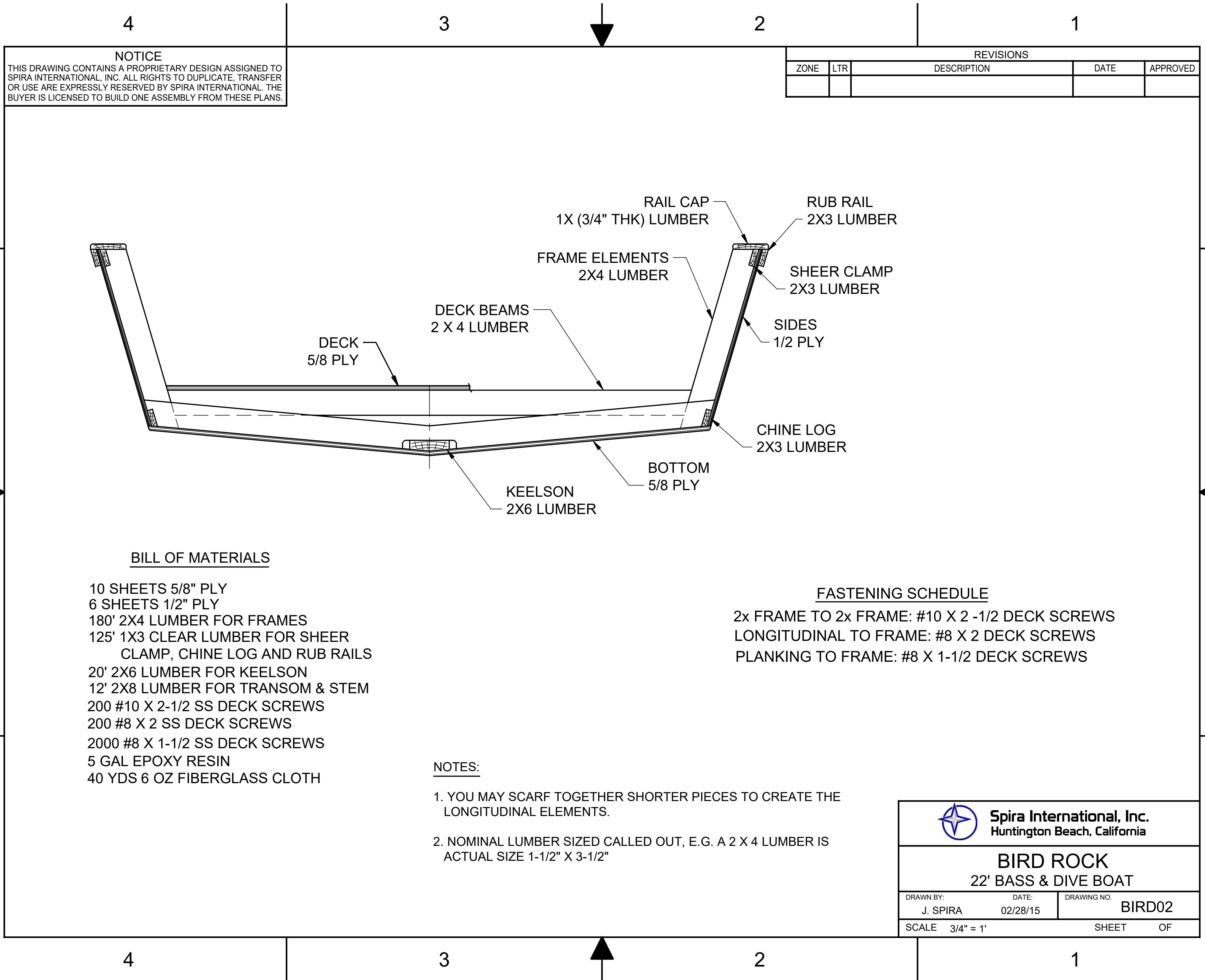
DRAWN BY: J. SPIRA	DATE: 02/28/15	DRAWING NO. BIRD01
SCALE 3/4" = 1'		SHEET OF

4

3

2

1



NOTICE
 THIS DRAWING CONTAINS A PROPRIETARY DESIGN ASSIGNED TO SPIRA INTERNATIONAL, INC. ALL RIGHTS TO DUPLICATE, TRANSFER OR USE ARE EXPRESSLY RESERVED BY SPIRA INTERNATIONAL. THE BUYER IS LICENSED TO BUILD ONE ASSEMBLY FROM THESE PLANS.

REVISIONS				
ZONE	LTR	DESCRIPTION	DATE	APPROVED

BILL OF MATERIALS


- 10 SHEETS 5/8" PLY
- 6 SHEETS 1/2" PLY
- 180' 2X4 LUMBER FOR FRAMES
- 125' 1X3 CLEAR LUMBER FOR SHEER CLAMP, CHINE LOG AND RUB RAILS
- 20' 2X6 LUMBER FOR KEELSON
- 12' 2X8 LUMBER FOR TRANSOM & STEM
- 200 #10 X 2-1/2 SS DECK SCREWS
- 200 #8 X 2 SS DECK SCREWS
- 2000 #8 X 1-1/2 SS DECK SCREWS
- 5 GAL EPOXY RESIN
- 40 YDS 6 OZ FIBERGLASS CLOTH

FASTENING SCHEDULE

- 2x FRAME TO 2x FRAME: #10 X 2 -1/2 DECK SCREWS
- LONGITUDINAL TO FRAME: #8 X 2 DECK SCREWS
- PLANKING TO FRAME: #8 X 1-1/2 DECK SCREWS

NOTES:

1. YOU MAY SCARF TOGETHER SHORTER PIECES TO CREATE THE LONGITUDINAL ELEMENTS.
2. NOMINAL LUMBER SIZED CALLED OUT, E.G. A 2 X 4 LUMBER IS ACTUAL SIZE 1-1/2" X 3-1/2"

 Spira International, Inc. Huntington Beach, California		
BIRD ROCK 22' BASS & DIVE BOAT		
DRAWN BY: J. SPIRA	DATE: 02/28/15	DRAWING NO. BIRD02
SCALE 3/4" = 1'		SHEET OF