

4

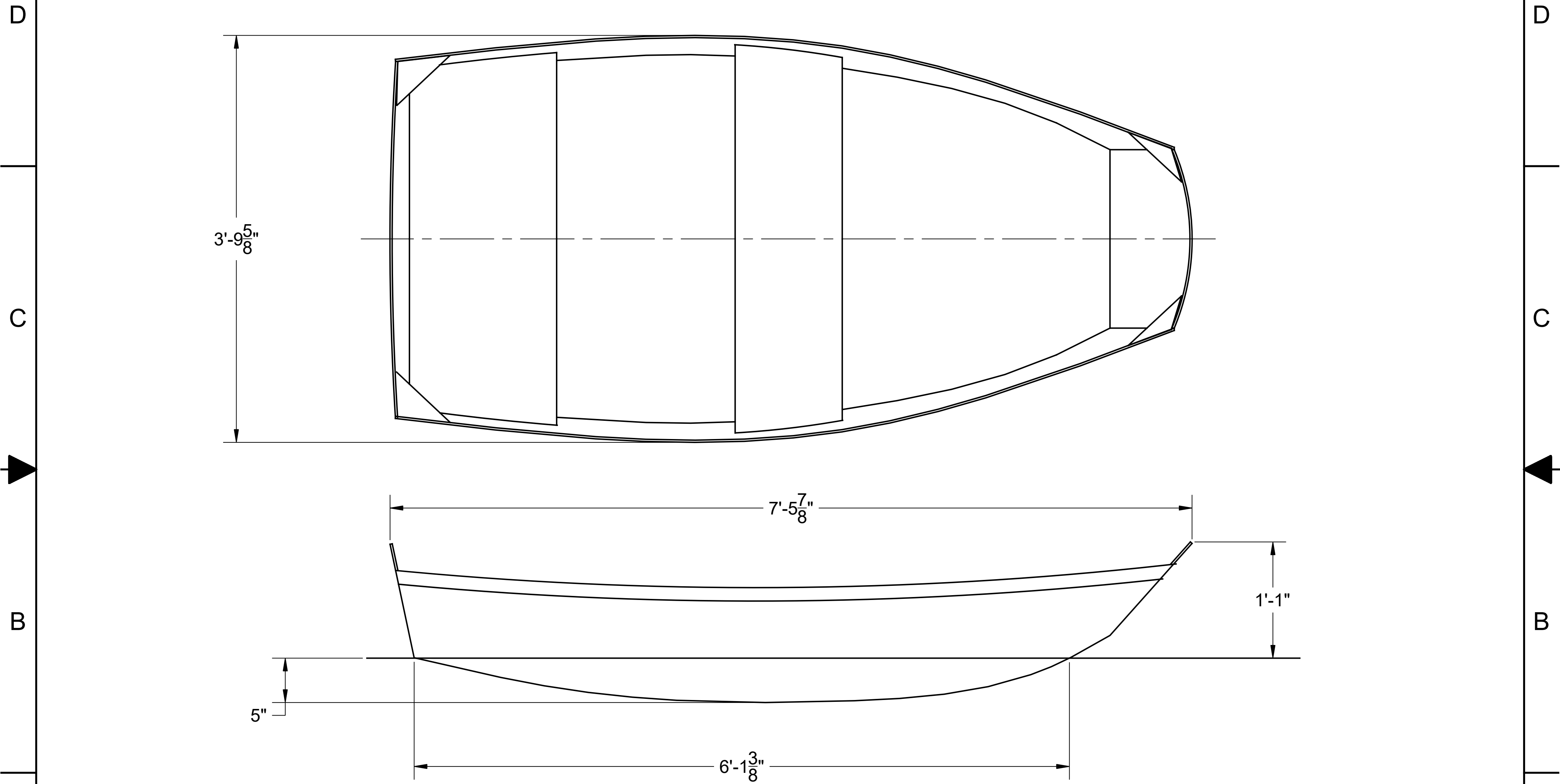
3

2


1

NOTICE
 THIS DRAWING CONTAINS A PROPRIETARY DESIGN ASSIGNED TO SPIRA INTERNATIONAL, INC. ALL RIGHTS TO DUPLICATE, TRANSFER OR USE ARE EXPRESSLY RESERVED BY SPIRA INTERNATIONAL. THE BUYER IS LICENSED TO BUILD ONE ASSEMBLY FROM THESE PLANS.

REVISIONS				
ZONE	LTR	DESCRIPTION	DATE	APPROVED
	B	ADDED LATEST SPECIFICATION TABLE	08/13/17	JJS



SPECIFICATIONS	
MAX. DISPLACEMENT	495 LBS
HULL WEIGHT	46 LBS
MAX. HP	2.5 HP
RECOMMENDED HP	OARS OR 40 LB ELECTRIC

 **Spira International, Inc.**
 Huntington Beach, California

BACK BAY
 8' DRIFT PRAM

DRAWN BY: J. SPIRA	DATE: 12/07/00	DRAWING NO. BACK01
SCALE 1/8		SHEET OF

4

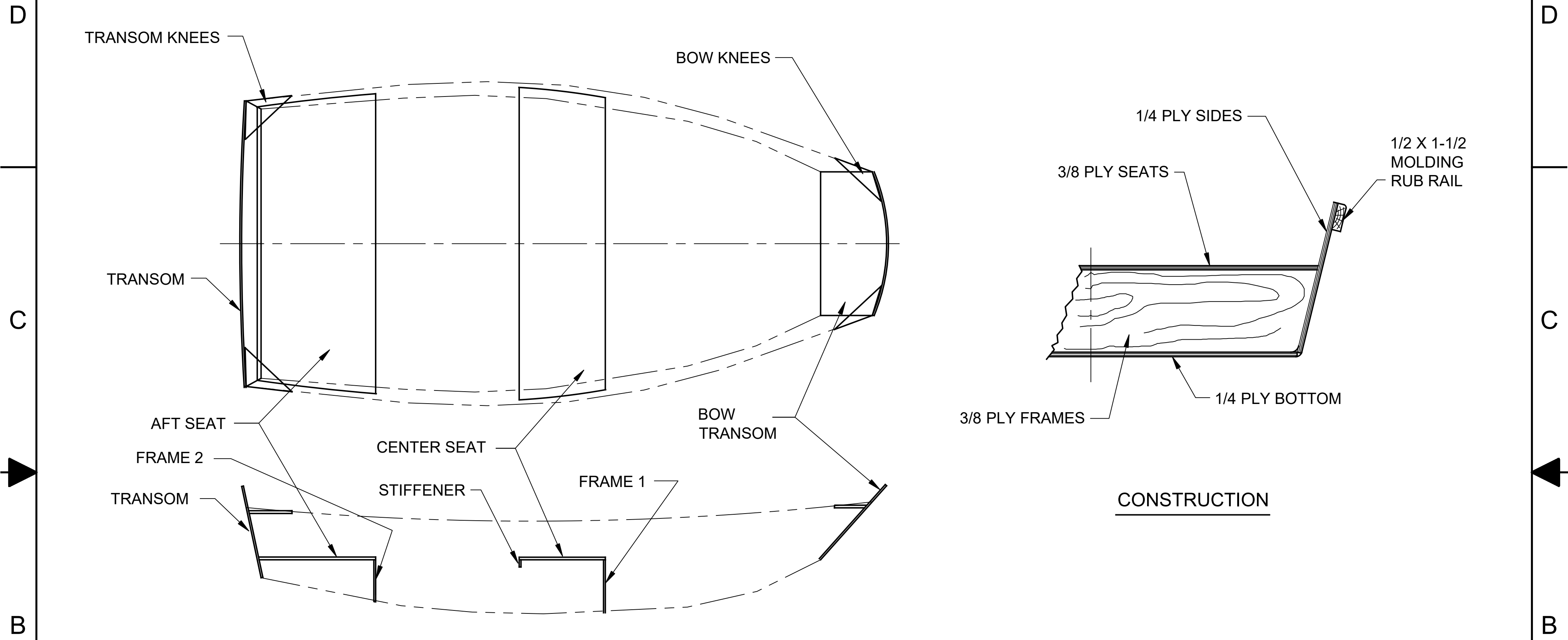
3

2

1

NOTICE
 THIS DRAWING CONTAINS A PROPRIETARY DESIGN ASSIGNED TO SPIRA INTERNATIONAL, INC. ALL RIGHTS TO DUPLICATE, TRANSFER OR USE ARE EXPRESSLY RESERVED BY SPIRA INTERNATIONAL. THE BUYER IS LICENSED TO BUILD ONE ASSEMBLY FROM THESE PLANS.

REVISIONS				
ZONE	LTR	DESCRIPTION	DATE	APPROVED
	B	MOVED BOW TRANSOM TO 3/8 PLY SHEET	09/04/08	JJS



COMPONENT IDENTIFICATION


CONSTRUCTION

BILL OF MATERIALS

- 2 SHEETS - 1/4" PLYWOOD
- 1/2 SHEET - 3/8" PLYWOOD
- 20 FT. - 1/2" X 1-1/2" CLEAR MOLDING
- 3 QTS. - EPOXY RESIN
- 2 QTS. - EPOXY RESIN THICKENER
- 25 YDS. - 3" FIBERGLASS TAPE

NOTES:

1. YOU MAY SCARF TOGETHER SHORTER PIECES TO CREATE THE LONGITUDINAL ELEMENTS.
2. NOMINAL LUMBER SIZED CALLED OUT, E.G. A 2 X 4 LUMBER IS ACTUAL SIZE 1-1/2" X 3-1/2"

 Spira International, Inc. Huntington Beach, California		
BACK BAY FRAME DETAILS		
DRAWN BY: J. SPIRA	DATE: 12/07/00	DRAWING NO. BACK02
SCALE 1/10 & NOTED		SHEET OF