

4

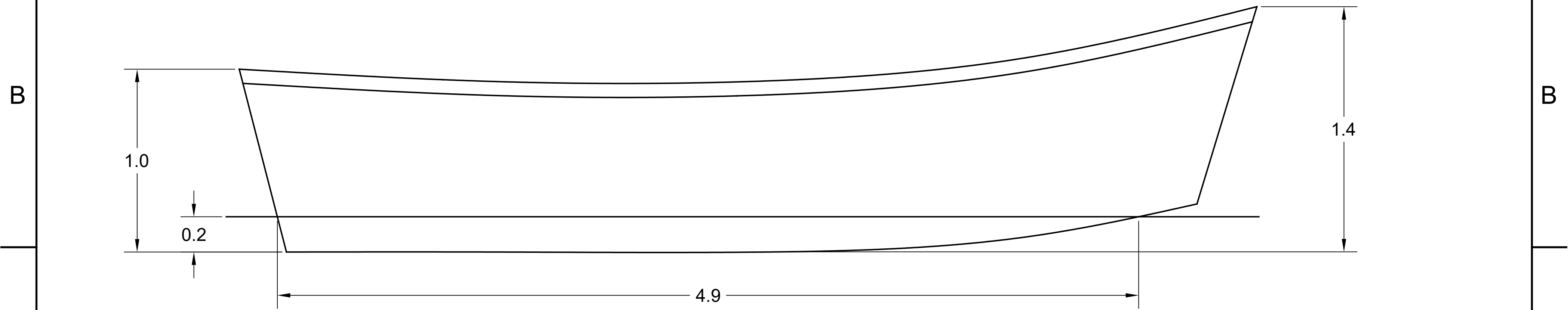
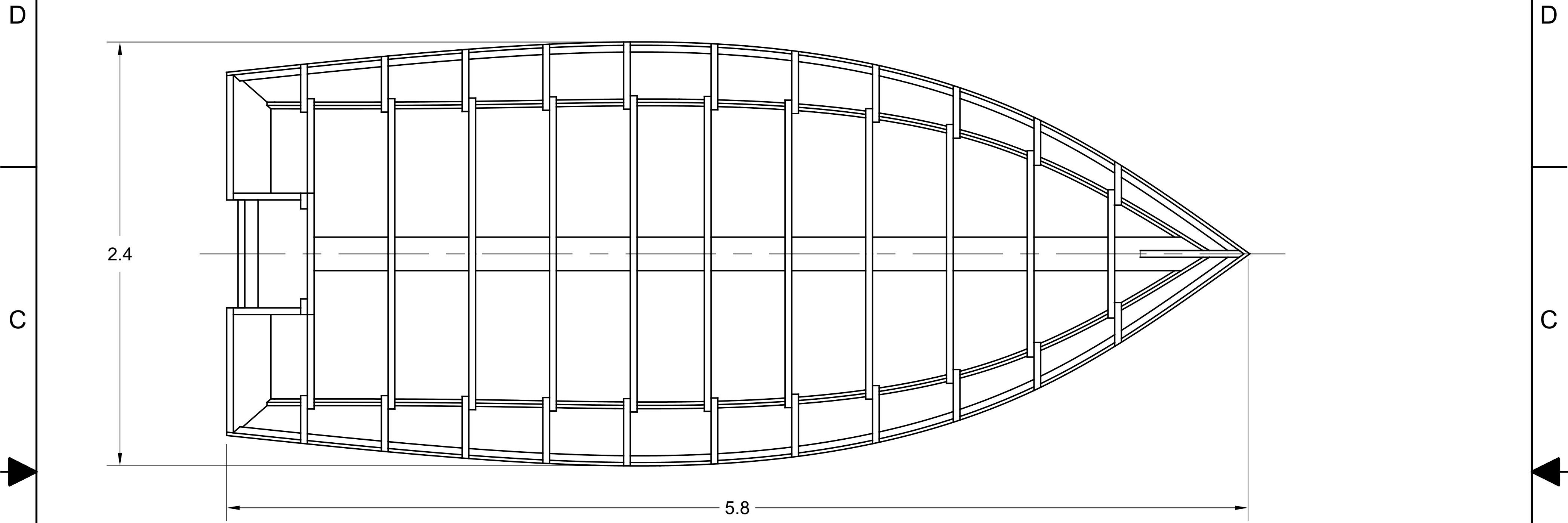
3

2


1

**NOTICE**  
 THIS DRAWING CONTAINS A PROPRIETARY DESIGN ASSIGNED TO SPIRA INTERNATIONAL, INC. ALL RIGHTS TO DUPLICATE, TRANSFER OR USE ARE EXPRESSLY RESERVED BY SPIRA INTERNATIONAL. THE BUYER IS LICENSED TO BUILD ONE ASSEMBLY FROM THESE PLANS.

REVISIONS				
ZONE	LTR	DESCRIPTION	DATE	APPROVED
	A	ADDED SPECIFICATION TABLE AND W/L	08/29/17	JJS



SPECIFICATIONS	
MAX. DISPLACEMENT	2023 KG
HULL WEIGHT	655 KG
HP <sub>MAX</sub> (20" O/B, REMOTE)	120 HP
HP RECOMMENDED	50-75 HP

 **Spira International, Inc.**  
 Huntington Beach, California

**ANACAPA**  
 5.7 M OFFSHORE PACIFIC POWER DORY

DRAWN BY: J. SPIRA	DATE: 08/18/10	DRAWING NO. ANACM01
-----------------------	-------------------	------------------------

SCALE 1 / 16 SHEET OF

4

3

2

1

4

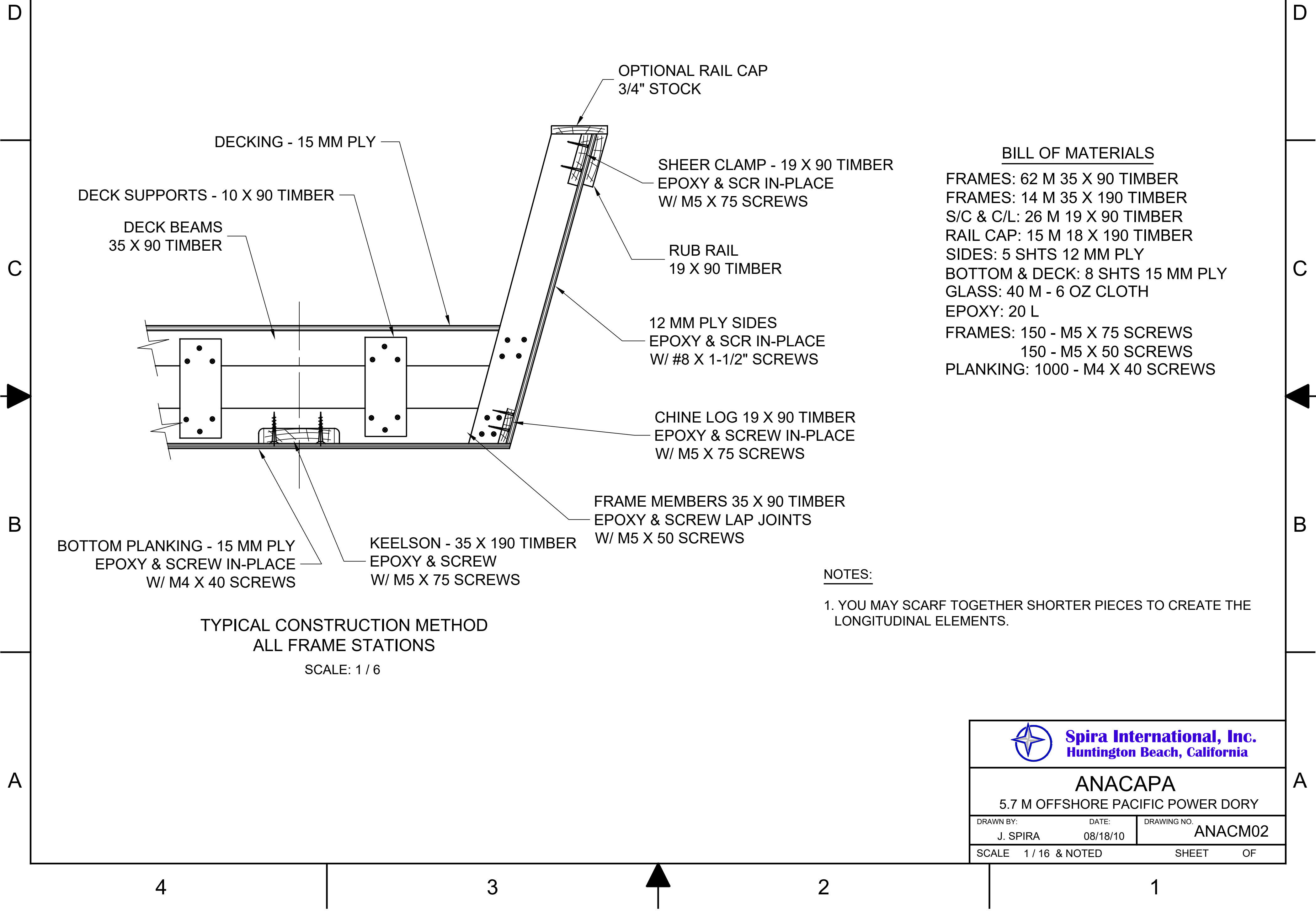
3

2

1

**NOTICE**  
 THIS DRAWING CONTAINS A PROPRIETARY DESIGN ASSIGNED TO SPIRA INTERNATIONAL, INC. ALL RIGHTS TO DUPLICATE, TRANSFER OR USE ARE EXPRESSLY RESERVED BY SPIRA INTERNATIONAL. THE BUYER IS LICENSED TO BUILD ONE ASSEMBLY FROM THESE PLANS.

REVISIONS				
ZONE	LTR	DESCRIPTION	DATE	APPROVED
	A	CORRECTED KEELSON DIMENSIONS	01/07/17	JJS




**BILL OF MATERIALS**

- FRAMES: 62 M 35 X 90 TIMBER
- FRAMES: 14 M 35 X 190 TIMBER
- S/C & C/L: 26 M 19 X 90 TIMBER
- RAIL CAP: 15 M 18 X 190 TIMBER
- SIDES: 5 SHTS 12 MM PLY
- BOTTOM & DECK: 8 SHTS 15 MM PLY
- GLASS: 40 M - 6 OZ CLOTH
- EPOXY: 20 L
- FRAMES: 150 - M5 X 75 SCREWS
- 150 - M5 X 50 SCREWS
- PLANKING: 1000 - M4 X 40 SCREWS

**NOTES:**

1. YOU MAY SCARF TOGETHER SHORTER PIECES TO CREATE THE LONGITUDINAL ELEMENTS.

**TYPICAL CONSTRUCTION METHOD**  
**ALL FRAME STATIONS**  
 SCALE: 1 / 6

 <b>Spira International, Inc.</b> Huntington Beach, California		
<b>ANACAPA</b> 5.7 M OFFSHORE PACIFIC POWER DORY		
DRAWN BY:	DATE:	DRAWING NO.
J. SPIRA	08/18/10	ANACM02
SCALE 1 / 16 & NOTED		SHEET OF